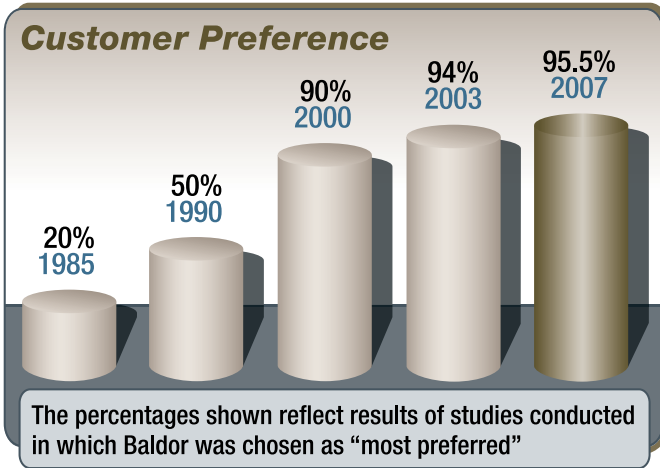


Baldor Explosion Proof AC and DC Motors



BALDOR[®]
A MEMBER OF THE ABB GROUP

Why Baldor?



For nearly 100 years, Baldor has strived to provide customers with the best value and reliability in industrial electric motors. That dedication shows in customer preference for Baldor•Reliance motors. To be considered as the most preferred...

Baldor offers the industry's broadest line of stock products. Save valuable time with just one call to Baldor. We offer more than 10,000 stock motors, drives and gearboxes.

Energy-efficiency leader. We began lowering the energy consumption of our motors in the 1920s, long before others were even talking about it. Today, our expansive line of Super-E® premium-efficient motors ranges from 1 through 15,000 Hp. Baldor's Super-E® line offers customers the highest overall efficiency levels in the industry.



Baldor products are available at more locations than any other brand.

Our 35 district offices across North America and hundreds of ABB offices around the world, offer immediate availability of Baldor products to thousands of customers.

Continuous innovation to improve reliability.

Baldor leads the motor industry in applying new technologies to improve motor reliability. Recent improvements to the line of Severe Duty motors are further proof that Baldor is the leader in motors for process industry applications. These improvements are explained in detail in the following pages.

Industry's shortest lead times/Flexible manufacturing.

Baldor has the industry's shortest lead times on custom motors – just ten working days. Our unique

LEAN FLEX FLOW™ manufacturing process lets us produce any order in any quantity, quickly and efficiently.



Industry's best information. Only Baldor offers customers so many choices for product information with a wide variety of catalogs and product brochures, the Baldor Web site at www.baldor.com, or you may talk to a Baldor customer service person at one of our sales offices.

Table of Contents

| | <u>Page</u> |
|--|-------------|
| Specifications and Features | |
| • Energy Savings | 4 |
| • Division 1 Capabilities | 5 |
| • North American Certifications | 6 |
| • Outside Nort America Certifications | 8 |
| • Design Features | 10 |
| Motor Performance Data and Dimensions | |
| • Rigid Base | 12 |
| • C-Face | 16 |
| • Severe Duty | 20 |
| • Drill Rig Duty | 21 |
| • 50 Hz | 23 |
| • Brake Motors | 24 |
| • Pump Motors | 24 |
| • Submersible | 26 |
| • Adjustable Speed AC Motors | 27 |
| • Adjustable Speed DC Motors | 30 |
| Motor Dimensions | 31 |
| Connection Diagrams | 42 |

Explosion Proof Motors

Since the 1940s, when Baldor introduced its first explosion-proof motor, the company has designed and manufactured motors that meet or exceed industry standards, ensuring safety, energy efficiency and overall reliability.

When you specify a Baldor explosion-proof motor, you can trust that it meets your specifications, and more. Baldor follows the specs to the letter, and then takes it a step further. We listen to motor users and learn from their experiences. We design and build motors that deliver reliable performance. And we earn long-term customer relationships by exceeding their expectations.

Over 500 Stock Motor Ratings

Today, Baldor offers customers a wide range of AC and DC Explosion Proof motors directly from stock, including your choice of premium efficient or standard efficient motors, in ratings from 1/4 to 300 horsepower. Non-stock motors are delivered in as few as ten working days.

The Right Motor for your Hazardous Environment Application

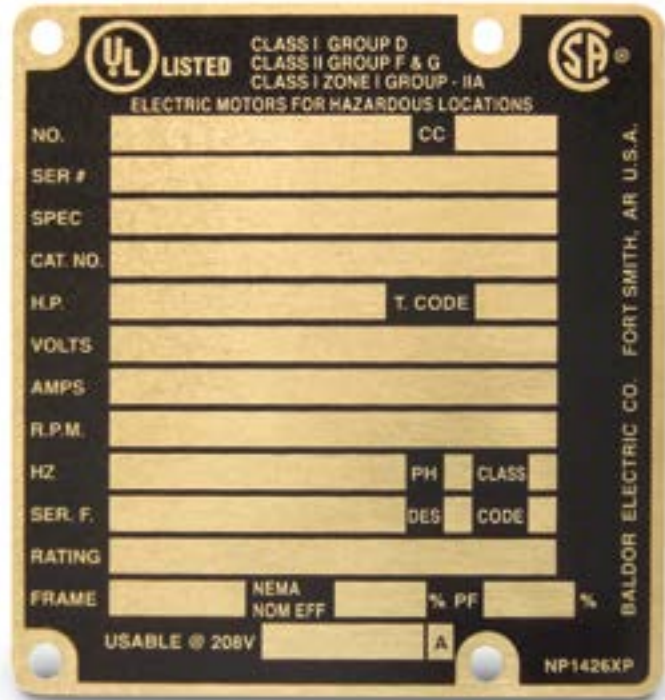
Baldor has a wide range of motors that are certified for use in Hazardous Locations or potentially Hazardous Environments where concentrations of combustible gasses, vapors and or dust are present or present some of the time.

Typical customer applications that are in Class I Environments (flammable gases & vapors) include:

- Spray painting and finishing areas
- Utility gas plants
- Petroleum refining plants
- Petroleum dispensing locations
- Dry cleaning facilities
- Dip tanks containing combustible or flammable fluids
- Plant facilities extracting solvents
- Inhalation anesthetic areas
- Process facilities manufacturing or using nitro-cellulose (class II as well).
- Aircraft hangars and fuel servicing areas.
- Gas stations

Typical customer applications that are in Class II Environments (combustible dust) include:

- Flour mills
- Feed mills
- Grain elevators and grain handling facilities
- Fire work plants and storage areas
- Aluminum manufacturing and storage areas
- Magnesium manufacturing and storage areas.
- Coal preparation and handling facilities



Baldor Explosion proof motors are easily recognizable by their nameplates that include the listing agency approval logos as well as all specific Class, Group and Temperature Code information.

- Starch manufacturing and storage areas
- Confectionary plants
- Pulverized sugar and cocoa manufacturing plants. Packaging and storage plants.
- Spice grinding and storage plants.

Leadership in Premium Efficiency

As countries and regions across the world establish minimum efficiency levels for motors, more companies are turning to the Baldor•Reliance Super-E. This includes plant and processing applications, as well as OEM products for shipment overseas. Super-E motors meet or exceed the efficiency levels defined by The Energy Independence & Security Act of 2007 (EISA) in the U.S., NRC in Canada, and IEC 60034-30 IE3 level in Europe. Super-E motors meet or exceed NEMA Premium® efficiencies.

A wide selection of premium efficient motors, available from stock, manufactured and sold by a company committed to building better products for industries worldwide. No wonder, since the 1920s, Baldor is recognized as the worldwide leader in energy efficient motors and drives.

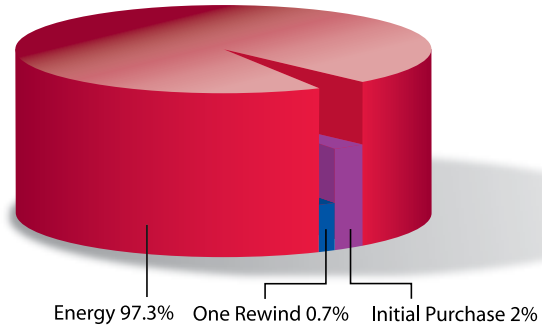
Making Energy Efficiency Work For You

Why is Energy Efficiency Important?

Electric motor-driven systems used in industrial processes consume 63% of all electricity used in U.S. industrial sector according to a U.S. Department of Energy report published in 1998. A 2002 report shows that companies that practiced DOE "best practices" actually averaged 33 percent savings if they were to apply motor and motor system efficiency upgrades, including the use of adjustable speed drives. The potential positive impacts on companies' bottom lines and the environment are significant.

Purchase Price is Only a Small Piece of the Pie

The pie chart to the right shows the typical life cycle cost of a 100 Hp motor operating in continuous duty over a 20-year life. As you can see, the original purchase price is almost insignificant compared to what it will cost to power the motor during its useful life.



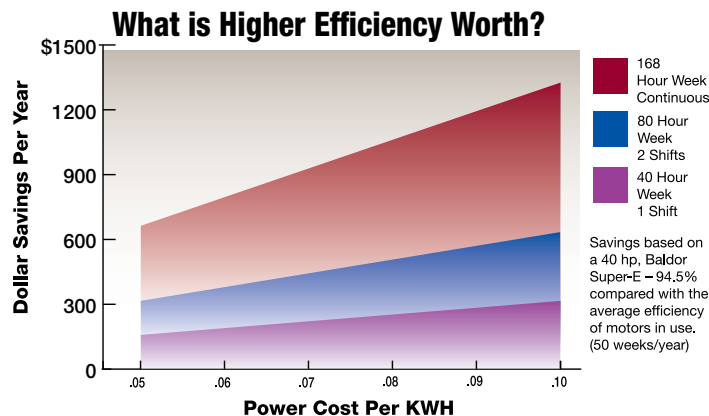
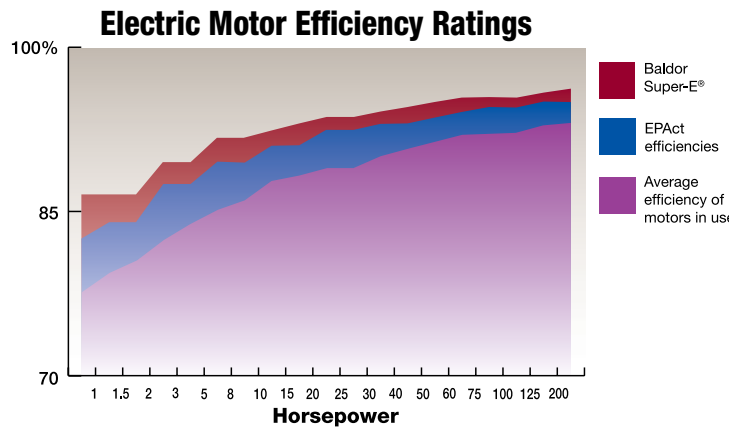
How Baldor Super-E® Efficiencies Compare to Industry Standards

Baldor's line of Super-E motors offers customers the highest level of overall efficiencies available from any motor manufacturer, meeting or exceeding NEMA Premium® efficiency.

BEST™ Baldor Energy Savings Tool Makes Calculating Payback Easy

In order to make payback calculations easier for customers, Baldor developed BEST, Baldor Energy Savings Tool. The software helps calculate energy cost and energy savings for motors, as well as payback time frames. A popular feature of BEST is that it allows users to make head-to-head comparisons of up to three motors, giving customers the information to make an informed decision through comparative analysis.

BEST, Baldor Energy Savings Tool is available as a download through Baldor's award-winning Web site (www.baldor.com/support/software_BEST.asp), as well as a stand-alone CD-ROM, available from your Baldor District Office.



Baldor Division 1, Explosion Proof Motor Capabilities – 1/4 Hp to 800 Hp NEMA Frame Size Capability

Division 1 enclosures: available as Class 1, Group C&D and Class II, Groups F&G in all sizes. Class I, Group D and Class II, Groups E,F&G are available in Cast Iron frames 182T and larger.

Single Phase – 1/4 to 5HP (48 to 215T frame), Three Phase – 1/4 to 300HP (48 to 449 frame)

| Hp | kW | 3600 RPM | 1800 RPM | 1200 RPM | 900 RPM |
|------|------|----------|----------|----------|---------|
| 0.25 | 0.18 | – | 48 | – | – |
| 0.33 | 0.25 | 48 | 48 | 56 | – |
| 0.50 | 0.37 | 56 | 48 | 56 | 143T |
| 0.75 | 0.56 | 56 | 56 | 56 | 145T |
| 1 | 0.75 | 56 | 56 | 56 | 182T |
| 1.5 | 1.12 | 143T | 56 | 145T | 184T |
| 2 | 1.5 | 145T | 56 | 184T | 213T |
| 3 | 2.2 | 145T | 182T | 213T | 215T |
| 5 | 4 | 184T | 184T | 215T | 254T |
| 7.5 | 5.6 | 184T | 213T | 254T | 256T |
| 10 | 7.5 | 215T | 215T | 256T | 284T |
| 15 | 11 | 254T | 254T | 284T | 286T |
| 20 | 15 | 256T | 256T | 286T | 324T |
| 25 | 18.7 | 284TS | 284T | 324T | 326T |
| 30 | 22.4 | 286TS | 286T | 286T | 364T |
| 40 | 29 | 324TS | 324T | 364T | 365T |
| 50 | 37 | 326TS | 326T | 365T | 404T |
| 60 | 44 | 364TS | 364T | 404T | 405T |
| 75 | 56 | 365TS | 365T | 405T | 444T |
| 100 | 75 | 405TS | 405T | 444T | 445T |
| 125 | 93 | 444TS | 444T | 445T | 447T |
| 150 | 112 | 445TS | 445T | 449T | 449T |
| 200 | 149 | 449TS | 447T | 449T | – |
| 250 | 187 | 449TS | 447T | 449T | – |
| 300 | 224 | 449TS | 449T | – | – |

Above NEMA Frame Capabilities

All Large AC Division 1 motors have the following specifications: TEFC Enclosure, 1.0 service factor, 40C ambient, B rise at 1.0 SF

Cast aluminum rotor, Rigid shaft, Anti-friction bearings, Self-greasing

Division 1 Enclosures: available as Class 1, Group C&D, and may be combined with Class II, Group E, Group E&F, Group F&G, Group G.

Three Phase: 460, 2300, 4000 Volts

| Hp | kW | 3600 RPM | 1800 RPM | 1200 RPM | 900 RPM |
|-----|-----|----------|----------|----------|---------|
| 150 | 112 | E449 | E449 | E449 | E5010 |
| 200 | 149 | E449 | E449 | E5010 | E5010 |
| 250 | 187 | E5010 | E5010 | E5010 | E5810 |
| 300 | 224 | E5010 | E5010 | E5810 | E5810 |
| 350 | 261 | E5010 | E5010 | E5810 | E5810 |
| 400 | 298 | E5010 | E5010 | E5810 | E5810 |
| 450 | 336 | E5010 | E5810 | E5810 | E5810 |
| 500 | 373 | – | E5810 | E5810 | E5810* |
| 600 | 447 | – | E5810 | E5810 | – |
| 700 | 522 | – | E5810 | E5810* | – |
| 800 | 597 | – | E5810* | – | – |

NOTE: *1 denotes Copper Bar Rotor.

Three Phase: 6600 Volts

| Hp | kW | 3600 RPM | 1800 RPM | 1200 RPM | 900 RPM |
|-----|-----|----------|----------|----------|---------|
| 250 | 187 | E5010 | E5010 | E5810 | E5810 |
| 300 | 224 | E5010 | E5010 | E5810 | E5810 |
| 350 | 261 | E5010 | E5010 | E5810 | E5810 |
| 400 | 298 | – | E5810 | E5810 | E5810 |
| 450 | 336 | – | E5810 | E5810 | – |
| 500 | 373 | – | E5810 | – | – |

Baldor Explosion Proof Motors for the North American Marketplace

In the North American marketplace, Baldor uses Underwriters Laboratories (U.L.) and the Canadian Standards Association (CSA) as certifying bodies to approve and label our electric motors for use in Division based hazardous locations per NFPA70 National Electric Code (NEC) and C22.1, the Canadian Electric Code. Baldor explosion proof motors may be marked with one or more of the following:



UL Listing mark for use in the United States. Products with this mark have been evaluated to U.S. safety requirements.



CSA Listing mark for use in Canada and the United States. The product is certified to the applicable American and Canadian standards



CSA Listing mark for use in Canada. The product is certified to the applicable Canadian standards

Hazardous Area Classifications

Division - defines how often the potentially explosive materials are present during normal operating conditions.

Division 1: Ignitable concentrations are present all or most of the time

Division 2: Ignitable concentrations are not likely to be present during normal operation

Classes and Groups - define the type of potentially explosive atmosphere and the specific materials it contains.

| Hazard Class | Groups per NEC 500 | Substance |
|--|---|------------|
| Class I Flammable Gases / Vapors / Liquids | Group A | Acetylene |
| | Group B | Hydrogen |
| | Group C | Ethylene |
| | Group D | Propane |
| Class II Combustible Dusts | Group E | Metal Dust |
| | Group F | Coal Dust |
| | Group G | Grain Dust |
| Class III Ignitable Fibers & Flyings | Not divided into Groups. 165°C maximum temperature limit for all Class III equipment not subject to overloading. 120°C maximum temperature limit for all equipment subject to overloading | |

Surface temperatures

The "T" Code identifies the maximum absolute motor surface temperature that will be developed under all conditions of operation, and is chosen to be below the ignition temperature of the potential explosive material in the hazardous area. Surface temperatures of Baldor Explosion-Proof Motors will not exceed the following UL and CSA maximums under fault conditions.

| T Code | Maximum Motor Surface Temperature | |
|--------|-----------------------------------|-----|
| | °C | °F |
| T1 | 450 | 842 |
| T2 | 300 | 572 |
| T2A | 280 | 536 |
| T2B | 260 | 500 |
| T2C | 230 | 446 |
| T2D | 215 | 419 |
| T3 | 200 | 392 |

| T Code (Continued) | Surface Temperature | |
|-----------------------|---------------------|-----|
| | °C | °F |
| T3A | 180 | 356 |
| T3B | 165 | 329 |
| T3C | 160 | 320 |
| T4 | 135 | 275 |
| T4A | 120 | 248 |
| T5 | 100 | 212 |
| T6 | 85 | 185 |

Baldor Division 1, Class & Group Stock ratings

All Baldor Division 1, stock motor ratings will have a red circle symbol next to the catalog # that indicates the explosion proof Class and Group the motor is certified to meet.

| XP Class & Group Symbol | Description |
|-------------------------|--|
| ① | Class 1, Group D |
| ② | Class 1, Group D, Class 2, Group F & G |
| ③ | Class 1, Group D, Class 2, Group E, F & G |
| ④ | Class 1, Group C & D |
| ⑤ | Class 1, Group C & D, Class 2, Group F & G |

Thermal Protection

As required by UL and CSA, explosion proof motors with Class II, Group F&G approvals must have over temperature protection. Internally mounted automatic thermal overloads (ATO's) are used on motors 1.5hp and less. Explosion proof motors 1hp and larger without ATO's have thermostats built in for thermal protection. It is the installer's responsibility to make sure that these devices are properly connected to a suitable switching device.

Inverter Duty Applications

Only Explosion proof motors which are specifically approved and UL listed for use on adjustable frequency drives can be used on inverters. See Pages 27 to 30 in this brochure for more information.

Ambient Temperatures

Stock explosion proof motors are suitable for applications in temperatures from -25°C (-13°F) to +40°C (+104°F). Custom motor designs are available for applications in temperatures between -25°C and -60°C and above +40°C. Contact your Baldor Sales office for further information.

Equivalent Zone Markings

NEC Article 505 and 506 define a North American System of Zone Classification for Gas & Dust. Most Baldor division based explosion proof motors 50hp and below, include these equivalent Zone Markings on the nameplate as standard. Equivalent zone markings can be added upon request to other ratings. Contact your local Baldor-Reliance sales office for assistance.



Typical Baldor explosion proof motor nameplate with division based UL and CSA certification that also includes equivalent zone markings.

CAUTION

Motors misapplied in hazardous environments can cause a fire or explosion resulting in destruction of property, serious injury or death. Only the end user or a qualified underwriter is to identify and select the proper class, group, division, and temperature code motor to meet the requirements of each installation. Baldor personnel, agents and distributors can advise what listings and approvals Baldor motors carry, but cannot evaluate nor recommend what motors may be suitable for use in hazardous environments.

Baldor Custom Explosion Proof Motors for Outside North America

Baldor offers a wide variety of Custom Explosion Proof motors for use outside the US market where IEC based standards of certification are required.

Europe - ATEX Directive

IEC standards that have been adopted by countries in Europe are known as European Norms (EN). Directives (Laws) are issued by the European Union (EU) based on these EN standards. Equipment tested to EN standards bears a CE mark. The CE mark is a mandatory conformity mark for products placed on the market in the European Union. With the CE marking on a product, the manufacturer ensures that the product conforms to the essential requirements of the applicable EC directives.



Explosion Proof products that are placed on the European market must be certified to the ATEX directive (ATEX 94/9/EC). The objective of ATEX is to ensure the free movement of goods that are suitable for use in explosive atmospheres throughout the European Union. Offering one harmonized compliance procedure accepted by all EU countries eradicates the need for differing national standards. Baldor uses SIRA as our 3rd party Notified Body for ATEX certification.



Globally (Outside Europe) – IECEx System

The IECEx Scheme is the future route to global compliance certification. Its aim is to harmonize standards to allow free movement of goods by establishing a world-wide accepted standard. The IECEx scheme significantly reduces the need for re-testing and certification by conforming to international IEC standards, and therefore makes international trade easier, quicker and more cost effective.



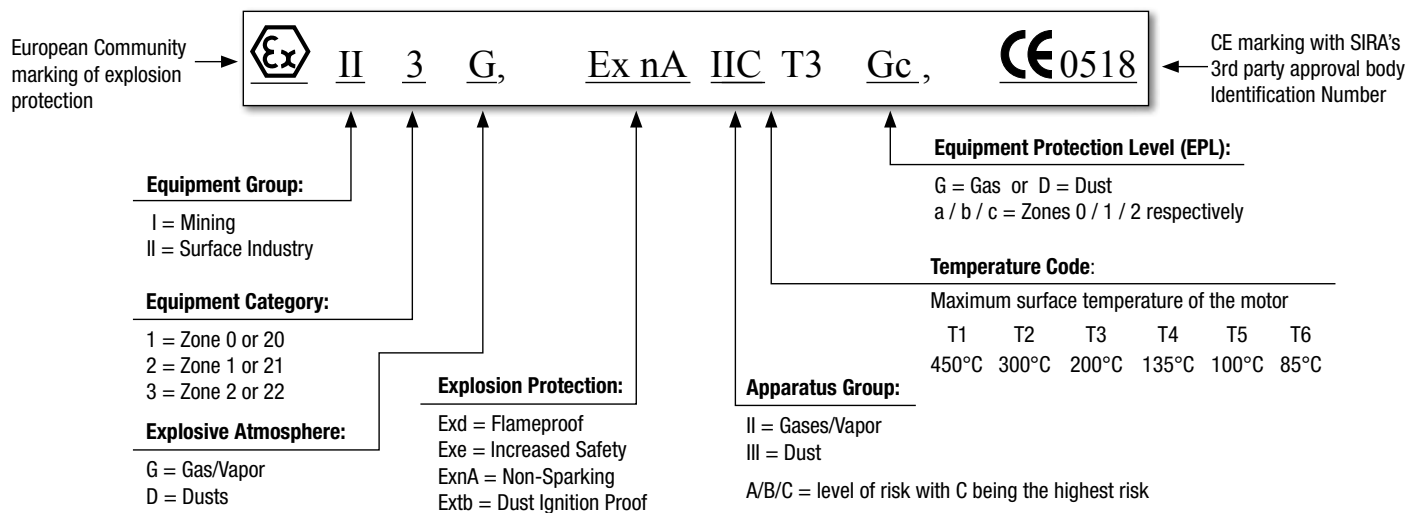
All Baldor ATEX custom motors are dual labeled with our IECEx certification number to satisfy the broader international market.

Certificate of Conformity for Exports to Russia - GOST-R

GOST R certification is required for customs clearance in Russia and as an aid to sell or market the equipment within the country. Additionally, the RTN Use Permit (Rostekhnadzor) allows the equipment to be installed and operated in Russia. Baldor is able to provide both of these upon request for all variants of our ATEX/IECEx product offering.



Typical ATEX Markings:



Baldor Custom ATEX Capabilities Matrix - Group II (Surface Industry Applications)

| Environment | Explosion Protection | Max. HP (kW) | NEMA Frame (IEC) | Max. Voltage | Apparatus Group | Temp Code | Ambient Temp. (°C) |
|---|---|---------------|--------------------------|--------------|-------------------|-------------|----------------------|
| Explosive Gas Environments (G) | Exd (Flameproof) IIB Zone 1 | 500HP (373kW) | 143T – 449T (90M-280M) | 1,000 volts | IIA & IIB | T3, T4 & T5 | -20 to +40 (+65 Max) |
| | ExnA (Non-Sparking) Zone 2 | 450HP (335kW) | 180T – 4412T (112M-280H) | 2,300 volts | IIA, IIB & IIC | T2, T3 & T4 | -20 to +40 (-30 Min) |
| Explosive Dust Environments (D) | Extb (Dust Ignition Proof) IIC Zone 21 | 500HP (373kW) | 143T – 449T (90M-280M) | 1,000 volts | IIIA, IIIB & IIIC | T3, T4 & T5 | -20 to +40 (+65 Max) |
| | Baldor motors marked “Extb” for Zone 21 may be additionally labeled “suitable for Zone 22 (EPL Dc)” | | | | | | |
| Dual Protection Gas & Dust Environments (G/D) | Baldor ATEX motors can be dual labeled for “Exd” (Flameproof) and “Extb” (Dust Ignition Proof), Zones 1, 21 to meet the most hazardous explosive atmosphere applications. | | | | | | |
| Increased Safety | “Exd” motors 180-449T, 112M-280H can be supplied with an Increased Safety conduit box separately labeled “Exe” | | | | | | |

Baldor takes pride in tailoring our custom motors to fit our customer’s specific requirements. For a full range of available options, pricing and availability contact your local Baldor Representative.

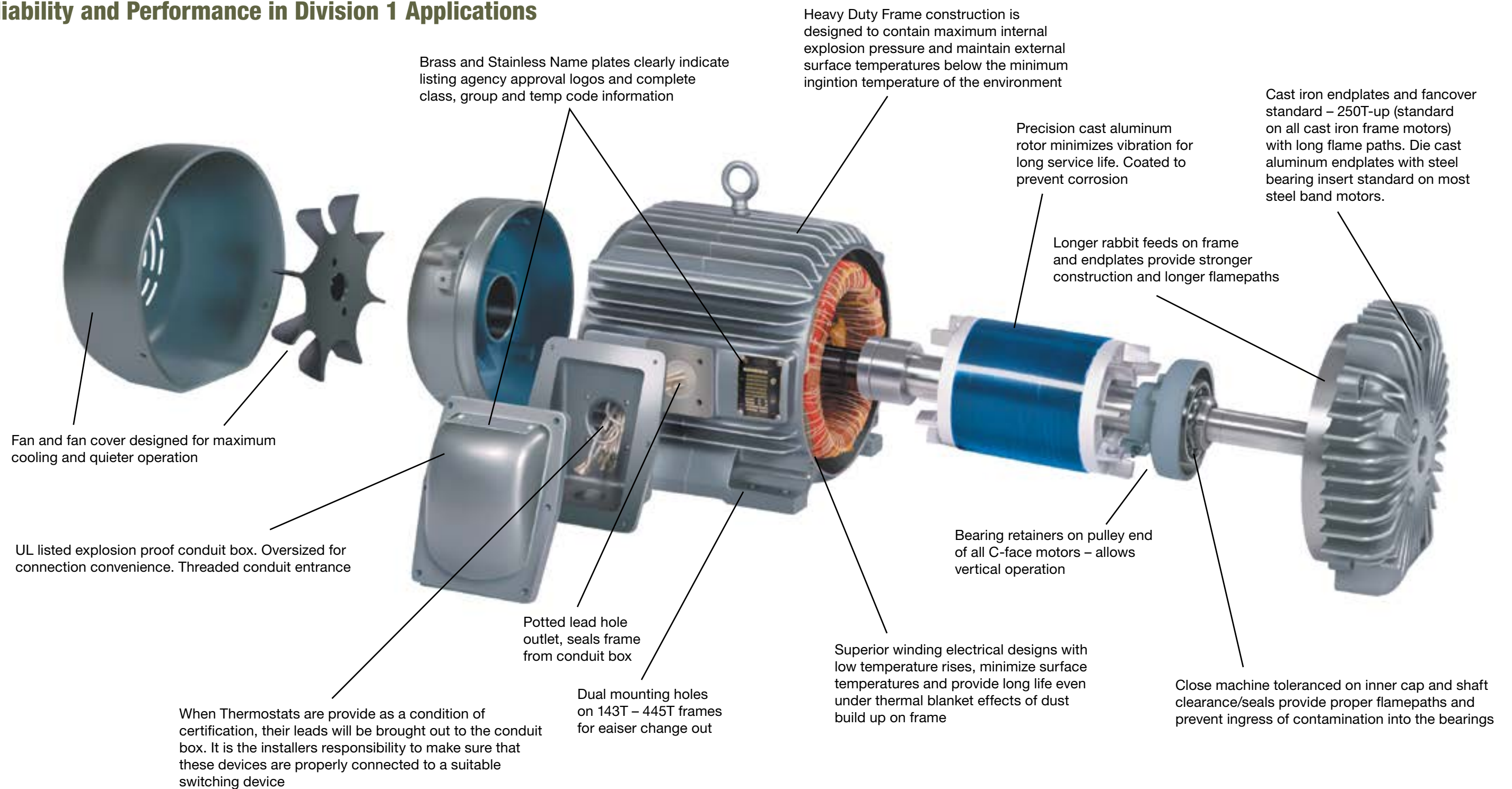
ABB IEC motors

ABB IEC motors are available in a wider range of explosion proof configurations and in larger power ratings. Information is available at www.abb.com/motors&generators or you may contact your local Baldor•Reliance office for assistance.

CAUTION

Motors misapplied in hazardous environments can cause a fire or explosion resulting in destruction of property, serious injury or death. Only the end user or a qualified underwriter is to identify and select the proper class, group, division, and temperature code motor to meet the requirements of each installation. Baldor personnel, agents and distributors can advise what listings and approvals Baldor motors carry, but cannot evaluate nor recommend what motors may be suitable for use in hazardous environments.

Explosion Proof Motors – Reliability and Performance in Division 1 Applications



Single Phase and Three Phase Explosion-Proof Motors with Rigid Base

These motors are ideal for a wide variety of applications where hazardous fumes or dust may be present. Available from stock in 1/4 hp through 300 hp, in NEMA frames 48 through 449T. U.L. and CSA approved for Division 1, Class I, Group D; Class I, Group D, Class II, Group F & G; Class I, Group C & D, Class II, Group F & G. 1.0 Service Factor.



Performance Data, Single Phase, Foot Mounted

| Hp | kW | RPM | NEMA Frame | Catalog Number | XP Cls & Grp | XP Temp Code | Amps @ High V | | Full Load Torque Lb. Ft. | Efficiency % | | | Power Factor % | | | Voltage | "C" Dim. | Conn. Diag. Number | Notes |
|------|------|------|------------|----------------|--------------|--------------|---------------|--------------|--------------------------|--------------|------|-----------|----------------|--------|--------------|-------------|-------------|--------------------|--------|
| | | | | | | | Full Load | Locked Rotor | | 1/2 | 3/4 | Full Load | 1/2 PF | 3/4 PF | Full Load PF | | | | |
| 0.25 | 0.18 | 1725 | 48 | L4003A | ② | T3C | 2.5 | 11 | 0.781 | 42.2 | 50 | 55 | 45 | 53 | 57 | 115/208-230 | 12.85 | CD0885 | - |
| | | | 56 | L5000A | ② | T3C | 2.1 | 10.8 | 0.762 | 50 | 60.6 | 62 | 47 | 54 | 64 | 115/208-230 | 13.22 | CD0565 | - |
| | | | 56 | L5000A-C | ⑤ | T3C | 2.1 | 10.8 | 0.762 | 50 | 60.6 | 62 | 47 | 54 | 64 | 115/208-230 | 13.22 | CD0565 | - |
| 0.33 | 0.25 | 3450 | 48 | L4005A | ② | T3C | 3 | 14 | 0.52 | 46.9 | 53.8 | 55 | 47 | 56 | 68 | 115/230 | 12.85 | CD0565 | - |
| | | 1725 | 48 | L4006A | ② | T3C | 3 | 13 | 1 | 41 | 52 | 60 | 41 | 52 | 60 | 115/208-230 | 12.85 | CD0565 | - |
| | | | 56 | L5001A | ② | T3C | 3 | 13 | 1 | 41 | 52 | 60 | 41 | 52 | 60 | 115/208-230 | 13.22 | CD0565 | - |
| | | | 56 | L5002A | ② | T4 | 3.4 | 13 | 1.5 | 41.5 | 50.1 | 54 | 42 | 50 | 56 | 115/230 | 14.3 | CD0008 | - |
| 0.5 | 0.37 | 3450 | 56 | L5003A | ② | T3C | 3.7 | 18.5 | 0.75 | 49.7 | 57.4 | 57 | 49 | 61 | 71 | 115/230 | 13.22 | CD0565 | - |
| | | 1725 | 48 | L4009A | ② | T3C | 3.7 | 19.41 | 1.5 | 55.2 | 62 | 64 | 48 | 59 | 66 | 115/208-230 | 13.85 | CD0565 | - |
| | | | 56 | L5004A | ② | T3C | 3.7 | 19.41 | 1.5 | 55.2 | 62 | 64 | 48 | 59 | 66 | 115/208-230 | 14.22 | CD0565 | - |
| | | | 56 | L5004A-C | ⑤ | T3C | 3.7 | 19.41 | 1.5 | 55.2 | 62 | 64 | 48 | 59 | 66 | 115/208-230 | 14.22 | CD0565 | - |
| | | | 56 | L5005A | ② | T4 | 4 | 19 | 2.25 | 57 | 62.3 | 59 | 41 | 49 | 63 | 115/230 | 15.17 | CD0008 | - |
| 0.75 | 0.56 | 3450 | 56 | L5006A | ② | T4 | 4.9 | 28.3 | 1.13 | 50 | 58 | 62 | 60 | 70 | 75 | 115/230 | 14.3 | CD0008 | - |
| | | 1725 | 56 | L5007A | ② | T4 | 5.3 | 34 | 2.25 | 58.2 | 65.4 | 66 | 45 | 56 | 68 | 115/230 | 15.17 | CD0008 | - |
| | | | 56 | L5007A-C | ⑤ | T4 | 5.3 | 34 | 2.25 | 58.2 | 65.4 | 66 | 45 | 56 | 68 | 115/230 | 15.17 | CD0008 | - |
| | | | 56 | L5022 | ① | T2C | 5.7 | 24.3 | 3.43 | 57.6 | 61.8 | 59.5 | 48 | 59 | 74 | 115/208-230 | 16.04 | CD0001 | - |
| 1 | 0.75 | 3450 | 56 | L5009A | ② | T4 | 6 | 37.9 | 1.51 | 63.2 | 68.3 | 66 | 66 | 76 | 81 | 115/230 | 15.17 | CD0008 | - |
| | | 1725 | 56 | L5023A | ② | T2C | 6.5 | 37 | 3 | 63 | 66.8 | 67 | 53 | 65 | 73 | 115/230 | 15.17 | CD0008 | - |
| | | | 143T | L5023T | ① | T2C | 6.4 | 39 | 3 | 67.6 | 70 | 67 | 53 | 67 | 73 | 115/208-230 | 15.23 | CD0001 | - |
| | | | 1140 | 184 | L5026 | ② | T3C | 7 | 34 | 4.6 | 62.6 | 68.5 | 67 | 48 | 59 | 67 | 115/208-230 | 16.92 | CD0001 |
| 1.5 | 1.12 | 3450 | 143T | L5030T | ② | T3C | 7.5 | 42 | 2.3 | 65.3 | 68.4 | 70 | 64 | 73 | 82 | 115/208-230 | 15.23 | CD0001 | - |
| | | 1725 | 184 | L5013 | ② | T3C | 9.5 | 68 | 4.5 | 66.9 | 72.6 | 70 | 50 | 61 | 70 | 115/230 | 16.92 | CD0001 | - |
| 2 | 1.5 | 3450 | 145T | L5031T | ② | T3C | 11.5 | 78 | 3 | 64.2 | 70.5 | 74 | 65 | 75 | 82 | 115/208-230 | 16.11 | CD0001 | - |
| | | 1725 | 182T | L5027T | ① | T2C | 11 | 61 | 6 | 72.3 | 74.3 | 75 | 58 | 69 | 81 | 115/230 | 17.42 | CD0001 | - |
| 3 | 2.2 | 3450 | 184T | L5028T | ① | T2C | 14.5 | 86 | 4.5 | 71 | 73.5 | 76 | 83 | 88 | 87 | 115/230 | 17.42 | CD0001 | - |
| | | 1725 | 215 | L5018 | ② | T3C | 15 | 90 | 9 | 75 | 79.1 | 79 | 61 | 72 | 77 | 115/230 | 19.49 | CD0076 | - |
| 5 | 4 | 1725 | 215 | L5020 | ① | T2C | 21 | 139 | 15.1 | 84.1 | 85.7 | 84 | 87 | 91 | 92 | 230 | 19.9 | CD0017A02 | - |

① Class I, Group D

② Class I, Group D, Class II, Group F & G

⑤ Class I, Group C & D, Class II, Group F & G

CAUTION: These Explosion-proof motors are not suitable for use with adjustable speed drives. Inverter Duty Explosion-proof motors must be used, see page 27.

Three Phase, Foot Mounted (continued)

| Hp | kW | RPM | NEMA Frame | Catalog Number | XP Cls & Grp | XP Temp Code | Amps @ High V | | Full Load Torque Lb. Ft. | Efficiency % | | | Power Factor % | | | Voltage | "C" Dim. | Conn. Diag. Number | Notes |
|------|------|-------|------------|----------------|--------------|--------------|---------------|--------------|--------------------------|--------------|------|-----------|----------------|--------|--------------|-------------|----------|--------------------|-------|
| | | | | | | | Full Load | Locked Rotor | | 1/2 | 3/4 | Full Load | 1/2 PF | 3/4 PF | Full Load PF | | | | |
| 0.25 | 0.18 | 1725 | 48 | M6002A | ② | T3C | 0.65 | 3.45 | 0.75 | 55.5 | 62.5 | 63 | 33 | 43 | 56 | 208-230/460 | 12.85 | CD0007 | - |
| 0.33 | 0.25 | 1725 | 56 | M7002A | ② | T3C | 0.8 | 4.4 | 1 | 59 | 65 | 67 | 40 | 50 | 57 | 208-230/460 | 13.22 | CD0007 | - |
| 0.33 | 0.25 | 1140 | 56 | M7003A | ② | T4 | 0.8 | 4.1 | 1.5 | 58 | 64 | 70 | 39 | 48 | 57 | 208-230/460 | 14.36 | CD0007 | - |
| 0.5 | 0.37 | 3450 | 56 | M7005A | ② | T3C | 1.1 | 6 | 0.75 | 56.3 | 64 | 68 | 44 | 56 | 63 | 208-230/460 | 13.22 | CD0007 | - |
| 0.5 | 0.37 | 1725 | 48 | M6007A | ② | T3C | 1 | 6.7 | 1.5 | 65 | 71.7 | 74 | 39 | 51 | 63 | 208-230/460 | 12.85 | CD0007 | - |
| 0.5 | 0.37 | 1725 | 56 | M7006A | ② | T3C | 1 | 6.7 | 1.5 | 65 | 71.1 | 74 | 39 | 51 | 63 | 208-230/460 | 13.22 | CD0007 | - |
| 0.5 | 0.37 | 1140 | 56 | M7007A | ② | T4 | 1.2 | 5.8 | 2.25 | 57 | 64 | 70 | 37 | 47 | 55 | 208-230/460 | 14.36 | CD0007 | - |
| 0.75 | 0.56 | 3450 | 56 | M7009A | ② | T3C | 1.3 | 7.6 | 1.2 | 70.6 | 73.6 | 75 | 58 | 67 | 73 | 208-230/460 | 13.22 | CD0007 | - |
| 0.75 | 0.56 | 1725 | 56 | M7010A | ② | T3C | 1.5 | 10 | 2.25 | 69.7 | 74.7 | 73 | 42 | 55 | 58 | 208-230/460 | 14.22 | CD0007 | - |
| 0.75 | 0.56 | 1140 | 56 | M7031A | ② | T4 | 1.4 | 8 | 3.4 | 71.1 | 75 | 77 | 44 | 55 | 63 | 208-230/460 | 15.23 | CD0007 | - |
| 0.75 | 0.56 | 1140 | 143T | M7031TA | ② | T4 | 1.4 | 8 | 3.4 | 71.1 | 75 | 77 | 44 | 55 | 63 | 208-230/460 | 15.23 | CD0007 | - |
| 1 | 0.75 | 3450 | 56 | M7013 | ② | T3C | 1.8 | 11 | 1.5 | 72.1 | 76.8 | 75.5 | 53 | 68 | 71 | 208-230/460 | 13.22 | CD0005 | - |
| 1 | 0.75 | 1740 | 56 | M7014 | ② | T3C | 1.8 | 12.4 | 2.99 | 68 | 73.6 | 75.5 | 45 | 57 | 67 | 208-230/460 | 14.3 | CD0005 | 19 |
| 1 | 0.75 | 1760 | 143T | EM7014T | ② | T3C | 1.5 | 12.1 | 2.97 | 81.9 | 84.8 | 85.5 | 49 | 62 | 71 | 230/460 | 15.23 | CD0005 | 19 |
| 1 | 0.75 | 1760 | 143T | EM7114T | ② | T3C | 1.5 | 12.1 | 2.97 | 81.9 | 84.8 | 85.5 | 49 | 62 | 71 | 230/460 | 16.28 | CD0005 | 19 |
| 1 | 0.75 | 1760 | 143T | EM7114T-C | ⑤ | T4 | 1.5 | 12.1 | 2.97 | 81.9 | 84.8 | 85.5 | 49 | 62 | 70 | 230/460 | 16.28 | CD0005 | 19 |
| 1 | 0.75 | 1750 | 182 | M7015 | ② | T3C | 1.6 | 13.2 | 2.99 | 78 | 81.4 | 82.5 | 50 | 63 | 73 | 230/460 | 15.23 | CD0005 | 19 |
| 1 | 0.75 | 1155 | 56 | M7032 | ① | T2C | 1.9 | 10.3 | 4.5 | 73.9 | 77.8 | 78.5 | 41 | 54 | 63 | 230/460 | 15.17 | CD0005 | - |
| 1 | 0.75 | 1155 | 145T | EM7032T | ② | T3C | 1.8 | 10.8 | 4.51 | 79.4 | 82.3 | 82.5 | 43 | 55 | 64 | 230/460 | 17.48 | CD0005 | 19 |
| 1.5 | 1.12 | 3500 | 143T | EM7018T | ② | T3C | 1.9 | 17.9 | 2.22 | 82 | 84.6 | 84 | 67 | 79 | 85 | 230/460 | 14.36 | CD0005 | 19 |
| 1.5 | 1.12 | 1735 | 56 | M7034 | ② | T3C | 2.3 | 17.5 | 4.5 | 77.3 | 80.9 | 81.5 | 51 | 65 | 74 | 208-230/460 | 14.3 | CD0005 | 19 |
| 1.5 | 1.12 | 18760 | 145T | EM7034T | ② | T3C | 2.2 | 18.3 | 4.47 | 84.5 | 86.9 | 86.5 | 51 | 65 | 73 | 230/460 | 16.1 | CD0005 | 19 |
| 1.5 | 1.12 | 1765 | 145T | EM7134T | ② | T3C | 2.3 | 20.7 | 4.54 | 83.8 | 86.4 | 86.5 | 49 | 62 | 71 | 208-230/460 | 16.28 | CD0005 | - |
| 1.5 | 1.12 | 1765 | 145T | EM7134T-C | ⑤ | T4 | 2.3 | 20.7 | 4.54 | 83.8 | 86.4 | 86.5 | 49 | 62 | 76 | 208-230/460 | 16.28 | CD0005 | - |
| 1.5 | 1.12 | 1755 | 184 | M7019 | ② | T3C | 2.4 | 19 | 4.43 | 79.4 | 83 | 84 | 48 | 62 | 70 | 230/460 | 15.23 | CD0005 | 19 |
| 1.5 | 1.12 | 1170 | 182T | EM7020T | ② | T3C | 2.6 | 14.7 | 6.8 | 86 | 88.3 | 87.5 | 42 | 53 | 61 | 230/460 | 17.42 | CD0005 | 19 |
| 1.5 | 1.12 | 1170 | 182T | EM7120T | ② | T3C | 2.6 | 14.7 | 6.8 | 86 | 88.3 | 87.5 | 42 | 53 | 0 | 230/460 | 18.24 | CD0005 | 19 |
| 2 | 1.5 | 3490 | 143T | EM7071T | ② | T3C | 2.5 | 25.9 | 2.98 | 83.5 | 85.9 | 85.5 | 75 | 84 | 88 | 230/460 | 16.1 | CD0005 | 19 |
| 2 | 1.5 | 1735 | 56 | M7037 | ② | T3C | 3 | 24.8 | 6.05 | 79.2 | 82.2 | 82.5 | 53 | 67 | 76 | 208-230/460 | 15.17 | CD0005 | - |
| 2 | 1.5 | 1755 | 145T | EM7037T | ② | T3C | 2.9 | 24.3 | 5.95 | 84 | 86.5 | 86.5 | 51 | 64 | 73 | 230/460 | 16.1 | CD0005 | 19 |
| 2 | 1.5 | 1750 | 145T | EM7137T | ② | T3C | 2.9 | 25 | 5.95 | 85.1 | 87.1 | 86.5 | 53 | 66 | 75 | 230/460 | 16.28 | CD0005 | 19 |
| 2 | 1.5 | 1750 | 145T | EM7137T-C | ⑤ | T3C | 2.9 | 25 | 5.95 | 85.1 | 87.1 | 86.5 | 53 | 66 | 75 | 208-230/460 | 16.28 | CD0005 | - |
| 2 | 1.5 | 1750 | 184 | M7023 | ② | T3C | 3.1 | 23.8 | 5.96 | 81 | 83.6 | 84 | 50 | 63 | 72 | 230/460 | 15.23 | CD0005 | 19 |
| 2 | 1.5 | 1170 | 184T | EM7041T | ② | T3C | 3.5 | 20.9 | 9 | 86.7 | 88.6 | 88.5 | 41 | 52 | 61 | 230/460 | 18.92 | CD0005 | 19 |
| 3 | 2.2 | 3450 | 145T | EM7075T | ① | T3C | 3.6 | 33 | 4.5 | 87.9 | 88.2 | 86.5 | 81 | 88 | 92 | 230/460 | 17.48 | CD0005 | - |
| 3 | 2.2 | 3450 | 182T | EM7026T | ② | T3C | 3.7 | 33.3 | 4.7 | 86.2 | 87.3 | 86.5 | 82 | 88 | 91 | 230/460 | 16.05 | CD0005 | 19 |
| 3 | 2.2 | 3460 | 182T | EM7126T | ② | T3C | 3.8 | 30.9 | 4.73 | 86.5 | 87.4 | 86.5 | 76 | 84 | 87 | 230/460 | 17.56 | CD0005 | 19 |
| 3 | 2.2 | 3460 | 184 | M7026 | ② | T3C | 3.7 | 30.5 | 4.7 | 84.9 | 86.2 | 85.5 | 80 | 88 | 91 | 230/460 | 15.55 | CD0005 | 19 |
| 3 | 2.2 | 1760 | 182T | EM7042T | ② | T3C | 4.2 | 30.8 | 7.1 | 86 | 88.5 | 89.5 | 49 | 62 | 75 | 230/460 | 18.92 | CD0005 | 19 |
| 3 | 2.2 | 1755 | 182T | EM7142T | ② | T3C | 4.1 | 29.8 | 9.06 | 88.9 | 90.1 | 89.5 | 58 | 70 | 77 | 230/460 | 17.56 | CD0005 | 19 |
| 3 | 2.2 | 1760 | 182T | EM7142T-C | ⑤ | T4 | 4 | 31.69 | 8.93 | 89 | 90 | 89.5 | 62 | 73 | 80 | 230/460 | 17.56 | CD0005 | 19 |
| 3 | 2.2 | 1770 | 213 | M7027 | ② | T3C | 4.1 | 34.5 | 8.87 | 85.4 | 87.7 | 87.5 | 58 | 71 | 77 | 230/460 | 16.44 | CD0005 | 19 |
| 3 | 2.2 | 1160 | 213T | EM7036T | ② | T3C | 4.6 | 34.4 | 13.4 | 87.7 | 89.4 | 89.5 | 49 | 61 | 68 | 230/460 | 20.32 | CD0005 | 19 |

Cast Iron Frame

① Class I, Group D

② Class I, Group D, Class II, Group F & G

⑤ Class I, Group C & D, Class II, Group F & G

19 60/50 Hertz motor. 60 Hertz data shown, contact your local Baldor•Reliance office for 50 Hertz data.

CAUTION: These Explosion-proof motors are not suitable for use with adjustable speed drives. Inverter Duty Explosion-proof motors must be used, see page 27.

Three Phase, Foot Mounted (continued)

| Hp | kW | RPM | NEMA Frame | Catalog Number | XP Cls & Grp | XP Temp Code | Amps @ High V | | Full Load Torque Lb. Ft. | Efficiency % | | | Power Factor % | | | Voltage | "C" Dim. | Conn. Diag. Number | Notes |
|-----|------|------|------------|----------------|--------------|--------------|---------------|--------------|--------------------------|--------------|------|-----------|----------------|--------|--------------|---------|----------|--------------------|-------|
| | | | | | | | Full Load | Locked Rotor | | 1/2 | 3/4 | Full Load | 1/2 PF | 3/4 PF | Full Load PF | | | | |
| 5 | 4 | 3450 | 184T | EM7072T | ② | T3C | 5.9 | 57.2 | 7.67 | 88.9 | 89.4 | 88.5 | 81 | 88 | 91 | 230/460 | 18.12 | CD0005 | 19 |
| 5 | 4 | 3475 | 184T | EM7172T | ② | T3C | 6.3 | 51.7 | 7.5 | 87.8 | 89 | 88.5 | 64 | 77 | 84 | 230/460 | 17.56 | CD0005 | 19 |
| 5 | 4 | 1750 | 184T | EM7044T | ② | T3C | 6.7 | 49.1 | 14.9 | 89.7 | 90.3 | 89.5 | 60 | 72 | 78 | 230/460 | 18.92 | CD0005 | 19 |
| 5 | 4 | 1750 | 184T | EM7144T | ② | T3C | 6 | 45.5 | 15 | 89.6 | 89.6 | 89.5 | 62 | 74 | 79 | 230/460 | 17.56 | CD0005 | 19 |
| 5 | 4 | 1750 | 184T | EM7144T-C | ⑤ | T4 | 6 | 45.5 | 15 | 89.6 | 89.6 | 89.5 | 62 | 74 | 79 | 230/460 | 17.56 | CD0005 | 19 |
| 5 | 4 | 1760 | 215 | M7030 | ② | T3C | 6.6 | 49.6 | 14.8 | 62 | 74 | 87.5 | 62 | 74 | 79 | 230/460 | 18.06 | CD0005 | 19 |
| 5 | 4 | 1160 | 215T | EM7040T | ② | T3C | 7.3 | 51.6 | 22.7 | 89.8 | 90.4 | 89.5 | 55 | 66 | 72 | 230/460 | 22.32 | CD0005 | 19 |
| 7.5 | 5.6 | 3450 | 184T | EM7073T | ① | T2C | 8.4 | 91 | 11.4 | 90.6 | 90.7 | 89.5 | 85 | 90 | 93 | 230/460 | 18.92 | CD0005 | - |
| 7.5 | 5.6 | 3525 | 213T | EM7045T | ② | T3C | 8.6 | 63.1 | 11.1 | 89.1 | 90.2 | 89.5 | 80 | 87 | 90 | 230/460 | 19.57 | CD0005 | 19 |
| 7.5 | 5.6 | 3525 | 213T | EM7145T | ② | T3C | 8.6 | 75 | 11.2 | 90 | 91.4 | 90.2 | 79 | 87 | 90 | 230/460 | 19.9 | CD0005 | 19 |
| 7.5 | 5.6 | 1770 | 213T | EM7047T | ② | T3C | 9.4 | 69.3 | 17.8 | 90.8 | 91.9 | 91.7 | 56 | 70 | 81 | 230/460 | 19.57 | CD0005 | 19 |
| 7.5 | 5.6 | 1770 | 213T | EM7147T | ② | T3C | 9.5 | 68 | 22.1 | 91.6 | 92.3 | 91.7 | 65 | 76 | 81 | 230/460 | 19.9 | CD0005 | 19 |
| 7.5 | 5.6 | 1770 | 213T | EM7147T-C | ⑤ | T4 | 9.5 | 68 | 22.1 | 91.6 | 92.3 | 91.7 | 65 | 76 | 81 | 230/460 | 19.91 | CD0005 | 19 |
| 7.5 | 5.6 | 1180 | 254T | EM7048T | ② | T3C | 10.7 | 67 | 32.4 | 89.3 | 90.7 | 91 | 53 | 64 | 70 | 230/460 | 25.5 | CD0005 | 19 |
| 10 | 7.5 | 3500 | 215T | EM7074T | ① | T2C | 11.2 | 117 | 15 | 90.8 | 92.3 | 91.7 | 84 | 90 | 92 | 230/460 | 20.82 | CD0005 | - |
| 10 | 7.5 | 3500 | 215T | EM7174T | ② | T3C | 11.1 | 88.5 | 14.9 | 93 | 93.2 | 92.4 | 79 | 88 | 90 | 230/460 | 19.31 | CD0005 | - |
| 10 | 7.5 | 1770 | 215T | EM7070T | ② | T3C | 12 | 103 | 29.5 | 92.1 | 92.4 | 91.7 | 66 | 79 | 85 | 230/460 | 22.32 | CD0005 | 19 |
| 10 | 7.5 | 1760 | 215T | EM7170T | ② | T3C | 12.2 | 81 | 29.8 | 92.5 | 92.9 | 91.7 | 71 | 80 | 83 | 230/460 | 19.9 | CD0005 | 19 |
| 10 | 7.5 | 1760 | 215T | EM7170T-C | ⑤ | T3C | 12.2 | 81 | 29.8 | 92.5 | 92.9 | 91.7 | 71 | 80 | 83 | 230/460 | 19.91 | CD0005 | 19 |
| 10 | 7.5 | 1180 | 256T | EM7065T | ② | T3C | 14.6 | 95.3 | 44.4 | 89.8 | 91.4 | 91 | 52 | 63 | 70 | 230/460 | 25.5 | CD0005 | 19 |
| 15 | 22.4 | 3520 | 254T | EM7053T | ② | T3C | 17.5 | 110 | 22.1 | 91 | 91.6 | 91 | 77 | 85 | 87 | 230/460 | 25.5 | CD0180 | 19 |
| 15 | 22.4 | 1765 | 254T | EM7054T | ② | T3C | 18 | 125 | 45 | 92.1 | 93 | 92.4 | 71 | 81 | 84 | 230/460 | 25.5 | CD0005 | 19 |
| 15 | 22.4 | 1765 | 254T | EM7054T-C | ⑤ | T4 | 18 | 125 | 45 | 92.1 | 93 | 92.4 | 71 | 81 | 84 | 230/460 | 25.5 | CD0005 | 19 |
| 15 | 22.4 | 1180 | 284T | EM7057T | ② | T3C | 20 | 122 | 65.7 | 90.6 | 92 | 91.7 | 58 | 69 | 75 | 230/460 | 28.61 | CD0180 | 19 |
| 20 | 15 | 3520 | 256T | EM7059T | ② | T3C | 23 | 161 | 29.6 | 92.2 | 92.4 | 91 | 78 | 86 | 89 | 230/460 | 25.5 | CD0005 | 19 |
| 20 | 15 | 1765 | 256T | EM7056T | ② | T3C | 24 | 166 | 54.1 | 92.5 | 93.2 | 93 | 72 | 81 | 84 | 230/460 | 25.5 | CD0180 | 19 |
| 20 | 15 | 1765 | 256T | EM7056T-C | ⑤ | T4 | 24 | 166 | 54.1 | 92.5 | 93.2 | 93 | 72 | 81 | 84 | 230/460 | 25.5 | CD0180 | 19 |
| 20 | 15 | 1180 | 286T | EM7079T | ② | T3C | 27 | 165 | 89.4 | 91.1 | 91.9 | 91.7 | 60 | 71 | 77 | 230/460 | 28.61 | CD0180 | 19 |
| 25 | 18.7 | 3520 | 284TS | EM7063T | ② | T3C | 28.5 | 177 | 37.4 | 91.5 | 91.7 | 91.7 | 80 | 87 | 89 | 230/460 | 27.24 | CD0180 | 19 |
| 25 | 18.7 | 1780 | 284T | EM7058T | ② | T3C | 30.5 | 179 | 71.2 | 91.5 | 92.2 | 93.6 | 69 | 79 | 82 | 230/460 | 28.61 | CD0005 | 19 |
| 25 | 18.7 | 1780 | 284T | EM7058T-C | ⑤ | T4 | 30.5 | 179 | 71.2 | 91.5 | 92.2 | 93.6 | 69 | 79 | 82 | 230/460 | 28.61 | CD0005 | 19 |
| 25 | 18.7 | 1180 | 324T | EM7082T | ② | T3C | 32 | 198 | 111 | 92.8 | 93.5 | 93 | 65 | 75 | 79 | 230/460 | 32 | CD0180 | 19 |
| 30 | 22.4 | 3520 | 286TS | EM7083T | ② | T3C | 33 | 194 | 44.6 | 92.9 | 93.3 | 91.7 | 85 | 90 | 90 | 230/460 | 27.24 | CD0180 | 19 |
| 30 | 22.4 | 1770 | 286T | EM7060T | ② | T3C | 36 | 235 | 89.1 | 93.7 | 94.3 | 93.6 | 66 | 75 | 83 | 230/460 | 28.61 | CD0005 | 19 |
| 30 | 22.4 | 1780 | 286T | EM7060T-C | ⑤ | T4 | 37 | 216 | 90 | 93.5 | 94.1 | 93.6 | 67 | 78 | 82 | 230/460 | 28.61 | CD0005 | 19 |
| 30 | 22.4 | 1180 | 326T | EM7080T | ② | T3C | 39 | 243 | 133 | 92.5 | 93.2 | 93 | 62 | 73 | 78 | 230/460 | 32 | CD0005 | 19 |
| 40 | 29 | 3530 | 324TS | EM7067T | ② | T3C | 46 | 299 | 53.3 | 88.1 | 89.8 | 92.4 | 78 | 85 | 88 | 230/460 | 30.5 | CD0180 | 19 |
| 40 | 29 | 1775 | 324T | EM7062T | ② | T3C | 48 | 334 | 118 | 93.6 | 94.4 | 94.1 | 67 | 77 | 82 | 230/460 | 32 | CD0180 | 19 |
| 40 | 29 | 1775 | 324T | EM7062T-C | ⑤ | T4 | 48 | 334 | 118 | 93.6 | 94.4 | 94.1 | 67 | 77 | 82 | 230/460 | 32.12 | CD0180 | 19 |
| 40 | 20 | 1180 | 364T | EM7084T | ② | T3C | 47.2 | 275 | 178 | 94.4 | 94.5 | 94.1 | 74 | 81.5 | 84.3 | 230/460 | 33.44 | 416820-002 | 19 |
| 50 | 37 | 3540 | 326TS | EM7081T | ② | T3C | 56 | 408 | 74.4 | 93.8 | 94.2 | 93 | 82 | 88 | 90 | 230/460 | 30.5 | CD0180 | 19 |
| 50 | 37 | 1775 | 326T | EM7064T | ② | T3C | 57 | 392 | 149 | 94.4 | 94.9 | 94.5 | 73 | 82 | 87 | 230/460 | 32 | CD0180 | 19 |
| 50 | 37 | 1775 | 326T | EM7064T-C | ⑤ | T4 | 57 | 392 | 149 | 94.4 | 94.9 | 94.5 | 73 | 82 | 87 | 230/460 | 32.12 | CD0180 | 19 |
| 50 | 37 | 1180 | 365T | EM7085T | ② | T4 | 60.1 | 358 | 222 | 94.4 | 94.6 | 94.1 | 70.9 | 79.4 | 82.7 | 230/460 | 33.44 | 416820-002 | 19 |

Cast Iron Frame

① Class I, Group D

② Class I, Group D, Class II, Group F & G

⑤ Class I, Group C & D, Class II, Group F & G

19 60/50 Hertz motor: 60 Hertz data shown, contact your local Baldor•Reliance office for 50 Hertz data.

CAUTION: These Explosion-proof motors are not suitable for use with adjustable speed drives. Inverter Duty Explosion-proof motors must be used, see page 27.

Three Phase, Foot Mounted (continued)

| Hp | kW | RPM | NEMA Frame | Catalog Number | XP Cls & Grp | XP Temp Code | Amps @ High V | | Full Load Torque Lb. Ft. | Efficiency % | | | Power Factor % | | | Voltage | "C" Dim. | Conn. Diag. Number | Notes |
|-----|-----|------|------------|----------------|--------------|--------------|---------------|--------------|--------------------------|--------------|------|-----------|----------------|--------|--------------|---------|----------|--------------------|-------|
| | | | | | | | Full Load | Locked Rotor | | 1/2 | 3/4 | Full Load | 1/2 PF | 3/4 PF | Full Load PF | | | | |
| 60 | 44 | 1780 | 364T | EM7066T | ② | T4 | 68 | 430 | 177 | 95.2 | 95.3 | 95 | 78.7 | 85 | 87 | 230/460 | 33.44 | 416820-002 | 19 |
| 60 | 44 | 1780 | 364T | EM7066T-C | ⑤ | T4 | 68 | 430 | 177 | 95.2 | 95.3 | 95 | 78.7 | 85 | 87 | 230/460 | 33.44 | 416820-002 | 19 |
| 60 | 44 | 1185 | 404T | EM7086T | ② | T4 | 67.3 | 434 | 266 | 94.6 | 94.9 | 94.5 | 79.3 | 86 | 88.3 | 230/460 | 38.31 | 416820-002 | 19 |
| 75 | 56 | 1780 | 365T | EM7068T | ⑤ | T4 | 84.1 | 510 | 221 | 96.1 | 95.9 | 95.4 | 78.2 | 85.1 | 87.5 | 230/460 | 33.44 | 416820-002 | 19 |
| 75 | 56 | 1185 | 405T | EM7087T | ② | T4 | 84.2 | 537 | 333 | 94.8 | 95 | 94.5 | 79.3 | 85.9 | 88.3 | 230/460 | 38.31 | 416820-002 | 19 |
| 100 | 75 | 1780 | 405T | EM7090T | ⑤ | T4 | 112 | 708 | 295 | 95.5 | 95.7 | 95.4 | 77.9 | 84.9 | 87.5 | 230/460 | 38.31 | 416820-002 | 19 |
| 125 | 93 | 1780 | 444T | EM74124T-4 | ⑤ | T4 | 139 | 907 | 368 | 94.5 | 95.3 | 95.4 | 81.7 | 87.4 | 88.5 | 460 | 44.62 | 416820-036 | 19 |
| 150 | 112 | 1785 | 447T | EM74154T-4 | ⑤ | T4 | 164 | 1075 | 441 | 95.6 | 96 | 95.8 | 86 | 89.1 | 89.2 | 460 | 47.83 | 416820-036 | 19 |
| 200 | 149 | 1785 | 449T | EM74204T-4 | ⑤ | T4 | 216 | 1387 | 588 | 96.1 | 96.4 | 96.2 | 88.9 | 90.4 | 89.9 | 460 | 52.83 | 416820-036 | 19 |
| 250 | 187 | 1785 | 447T | M74254T-4 | ⑤ | T4 | 281 | 1783 | 738 | 94.6 | 95.2 | 95 | 82.2 | 86.9 | 87.6 | 460 | 47.83 | 416820-036 | 19 |
| 300 | 224 | 1785 | 449T | M74304T-4 | ⑤ | T4 | 328 | 2191 | 883 | 95.3 | 95.9 | 95.8 | 86.5 | 89.4 | 89.3 | 460 | 52.83 | 416820-036 | 19 |

Three Phase, 575V, Foot Mounted

| Hp | kW | RPM | NEMA Frame | Catalog Number | XP Cls & Grp | XP Temp Code | Amps @ High V | | Full Load Torque Lb. Ft. | Efficiency % | | | Power Factor % | | | Voltage | "C" Dim. | Conn. Diag. Number | Notes |
|------|------|------|------------|----------------|--------------|--------------|---------------|--------------|--------------------------|--------------|------|-----------|----------------|--------|--------------|---------|----------|--------------------|-------|
| | | | | | | | Full Load | Locked Rotor | | 1/2 | 3/4 | Full Load | 1/2 PF | 3/4 PF | Full Load PF | | | | |
| 0.5 | 0.37 | 1725 | 56 | M7006-5 | ② | T3C | 0.9 | 5.9 | 1.5 | 59 | 66.7 | 74 | 41 | 52 | 60 | 575 | 14.3 | CD0006 | - |
| 0.75 | 0.56 | 1725 | 56 | M7010-5 | ② | T3C | 1.2 | 6.7 | 2.3 | 64 | 70.4 | 76 | 46 | 58 | 69 | 575 | 14.3 | CD0006 | - |
| 1 | 0.75 | 3450 | 56 | M7013-5 | ② | T3C | 1.2 | 8.8 | 1.5 | 72.1 | 76.8 | 75.5 | 53 | 68 | 76 | 575 | 13.22 | CD0006 | - |
| 1 | 0.75 | 1740 | 56 | M7014-5 | ② | T3C | 1.5 | 9.57 | 2.99 | 67.4 | 72.9 | 75.5 | 45 | 57 | 67 | 575 | 14.3 | CD0006 | - |
| 1 | 0.75 | 1760 | 143T | EM7014T-5 | ② | T3C | 1.2 | 9.66 | 2.97 | 81.9 | 84.8 | 85.5 | 49 | 62 | 71 | 575 | 14.36 | CD0006 | - |
| 1.5 | 1.12 | 3500 | 143T | EM7018T-5 | ② | T3C | 1.5 | 14.5 | 2.22 | 82.1 | 84.3 | 84 | 66 | 78 | 85 | 575 | 14.36 | CD0006 | - |
| 1.5 | 1.12 | 1760 | 145T | EM7034T-5 | ② | T3C | 1.8 | 14.6 | 4.47 | 84.5 | 87 | 86.5 | 51 | 65 | 73 | 575 | 15.23 | CD0006 | - |
| 2 | 1.5 | 3490 | 145T | EM7071T-5 | ② | T3C | 2 | 21 | 2.98 | 83.6 | 85.5 | 85.5 | 74 | 84 | 88 | 575 | 15.23 | CD0006 | - |
| 2 | 1.5 | 1755 | 145T | EM7037T-5 | ② | T3C | 2.4 | 19.6 | 5.95 | 83.8 | 86.4 | 86.5 | 50 | 64 | 73 | 575 | 16.1 | CD0006 | - |
| 3 | 2.2 | 1760 | 182T | EM7042T-5 | ② | T3C | 3.3 | 25.9 | 8.88 | 87.7 | 89.5 | 89.5 | 54 | 67 | 75 | 575 | 17.42 | CD0006 | - |
| 5 | 4 | 3450 | 184T | EM7072T-5 | ② | T3C | 4.7 | 45.7 | 7.64 | 88.4 | 89.1 | 88.5 | 81 | 88 | 91 | 575 | 18.12 | CD0006 | 35 |
| 5 | 4 | 1750 | 184T | EM7044T-5 | ② | T3C | 5.3 | 39.3 | 14.9 | 89.6 | 90.5 | 89.5 | 60 | 72 | 78 | 575 | 18.12 | CD0006 | - |
| 7.5 | 5.6 | 1770 | 213T | EM7047T-5 | ② | T3C | 7.6 | 58.5 | 22.2 | 91.1 | 92.3 | 91.7 | 61 | 74 | 81 | 575 | 20.32 | CD0006 | 35 |
| 10 | 7.5 | 1760 | 215T | EM7170T-5 | ② | T3C | 9.8 | 66.3 | 29.8 | 92.1 | 92.7 | 91.7 | 70 | 79 | 83 | 575 | 19.9 | CD0006 | - |
| 15 | 11 | 1765 | 254T | EM7054T-5 | ② | T3C | 14.8 | 99 | 44.5 | 91.3 | 92.5 | 92.4 | 67 | 78 | 82 | 575 | 25.5 | CD0006 | - |
| 20 | 15 | 1765 | 256T | EM7056T-5 | ② | T3C | 19.2 | 140 | 59 | 92.8 | 93.2 | 93 | 72 | 78 | 84 | 575 | 25.5 | CD0006 | - |
| 25 | 18.7 | 1780 | 284T | EM7058T-5 | ② | T3C | 24.5 | 150 | 74 | 91 | 92.7 | 93.6 | 70 | 79 | 82 | 575 | 28.61 | CD0006 | - |
| 30 | 22.4 | 1770 | 286T | EM7060T-5 | ② | T3C | 29 | 177 | 89.2 | 93.9 | 94.4 | 93.6 | 69 | 77 | 83 | 575 | 28.61 | CD0006 | - |
| 40 | 29 | 1775 | 324T | EM7062T-5 | ② | T3C | 39 | 267 | 118 | 93.6 | 94.3 | 94.1 | 67 | 77 | 82 | 575 | 32 | CD0006 | - |

Cast Iron Frame

- ① Class I, Group D
- ② Class I, Group D, Class II, Group F & G
- ⑤ Class I, Group C & D, Class II, Group F & G
- 19 60/50 Hertz motor. 60 Hertz data shown, contact your local Baldor•Reliance office for 50 Hertz data.
- 35 Design A, Exceeds Design B in rush limits

CAUTION: These Explosion-proof motors are not suitable for use with adjustable speed drives. Inverter Duty Explosion-proof motors must be used, see page 27.

Single & Three Phase Explosion-Proof C-Face Motors

Baldor motors for use on pumps, blowers and valves that require a NEMA C-face mounting configuration. Installed where hazardous fumes or dust may be present. Positively locked drive end bearing. 1.0 Service Factor. Available from stock in single and three phase, 1/3 hp through 50 hp, in NEMA frames 56C through 326TC. UL and CSA approved for Division 1, Class I, Group D; Class I, Group D, Class II, Group F & G.



Single Phase, C-Face, Foot Mounted

| Hp | kW | RPM | NEMA Frame | Catalog Number | XP Cls & Grp | XP Temp Code | Amps @ High V | | Full Load Torque Lb. Ft. | Efficiency % | | | Power Factor % | | | Voltage | "C" Dim. | Conn. Diag. Number | Notes |
|------|------|------|------------|----------------|--------------|--------------|---------------|--------------|--------------------------|--------------|------|-----------|----------------|--------|--------------|-------------|----------|--------------------|-------|
| | | | | | | | Full Load | Locked Rotor | | 1/2 | 3/4 | Full Load | 1/2 PF | 3/4 PF | Full Load PF | | | | |
| 0.33 | 0.25 | 1725 | 56C | CL5001A | ② | T3C | 6/3.2-3 | 13 | 1 | 41 | 52 | 60 | 41 | 52 | 60 | 115/208-230 | 13.22 | CD0565 | - |
| 0.5 | 0.37 | 3450 | 56C | CL5003A | ② | T3C | 7.4/3.7 | 18.5 | 0.75 | 49.7 | 57.4 | 57 | 49 | 61 | 71 | 115/230 | 13.22 | CD0565 | - |
| 0.5 | 0.37 | 1725 | 56C | CL5004A | ② | T3C | 7.4/3.9-3.7 | 19.41 | 1.5 | 55.2 | 62 | 64 | 48 | 59 | 66 | 115/208-230 | 14.22 | CD0565 | - |
| 0.75 | 0.56 | 1725 | 56C | CL5007A | ② | T4 | 10.6/5.3 | 34 | 2.25 | 58.2 | 65.4 | 66 | 45 | 56 | 68 | 115/230 | 15.17 | CD0008 | - |
| 1 | 0.75 | 3450 | 56C | CL5009A | ② | T4 | 6-Dec | 37.9 | 1.51 | 63.2 | 68.3 | 66 | 66 | 76 | 81 | 115/230 | 15.17 | CD0008 | - |
| 1 | 0.75 | 1725 | 56C | CL5023A | ② | T2C | 13/6.5 | 74 | 3 | 63 | 66.8 | 67 | 53 | 65 | 73 | 115/230 | 15.17 | CD0008 | - |
| 1.5 | 1.12 | 3450 | 143TC | CL5030T | ② | T3C | 15/7.9-7.5 | 42 | 2.3 | 65.3 | 68.4 | 70 | 64 | 73 | 82 | 115/208-230 | 15.23 | CD0001 | - |
| 1.5 | 1.12 | 1725 | 184C | CL5013 | ② | T3C | 19/9.5 | 68 | 4.5 | 66.9 | 72.6 | 70 | 50 | 61 | 70 | 115/230 | 16.93 | CD0001 | - |
| 2 | 1.5 | 3450 | 143TC | CL5031T | ② | T3C | 23/12-11.5 | 78 | 3 | 64.2 | 70.5 | 74 | 65 | 75 | 82 | 115/208-230 | 16.1 | CD0001 | - |
| 2 | 1.5 | 1725 | 182TC | CL5027T | ① | T2C | 22/11 | 61 | 6 | 72.3 | 74.3 | 75 | 58 | 69 | 81 | 115/230 | 18.86 | CD0001 | - |
| 3 | 2.2 | 3450 | 184TC | CL5028T | ① | T2C | 29/14.5 | 86 | 4.5 | 71 | 73.5 | 76 | 83 | 88 | 87 | 115/230 | 18.86 | CD0001 | - |
| 3 | 2.2 | 1725 | 215C | CL5018 | ① | T2C | 30/15 | 90 | 9 | 75 | 79.1 | 79 | 61 | 72 | 77 | 115/230 | 19.56 | CD0076 | - |
| 5 | 4 | 1725 | 215C | CL5020 | ① | T2C | 21 | 139 | 15.1 | 84.1 | 85.7 | 84 | 87 | 91 | 92 | 230 | 20.69 | CD0017A02 | - |

① Class I, Group D

② Class I, Group D, Class II, Group F & G

CAUTION: These Explosion-proof motors are not suitable for use with adjustable speed drives. Inverter Duty Explosion-proof motors must be used, see page 27.

Three Phase, C-Face, Foot Mounted

| Hp | kW | RPM | NEMA Frame | Catalog Number | XP Cls & Grp | XP Temp Code | Amps @ High V | | Full Load Torque Lb. Ft. | Efficiency % | | | Power Factor % | | | Voltage | "C" Dim. | Conn. Diag. Number | Notes |
|------|------|------|------------|----------------|--------------|--------------|---------------|--------------|--------------------------|--------------|------|-----------|----------------|--------|--------------|-------------|----------|--------------------|--------|
| | | | | | | | Full Load | Locked Rotor | | 1/2 | 3/4 | Full Load | 1/2 PF | 3/4 PF | Full Load PF | | | | |
| 0.5 | 0.37 | 3450 | 56C | CM7005A | ② | T3C | 2.4-2.2/1.1 | 6 | 0.75 | 56.3 | 64 | 68 | 44 | 56 | 63 | 208-230/460 | 13.22 | CD0007 | - |
| 0.5 | 0.37 | 1725 | 56C | CM7006A | ② | T3C | 2.1-2/1 | 6.7 | 1.5 | 65 | 71.7 | 74 | 39 | 51 | 63 | 208-230/460 | 13.22 | CD0007 | - |
| 0.75 | 0.56 | 3450 | 56C | CM7009A | ② | T3C | 2.7-2.6/1.3 | 7.6 | 1.2 | 70.6 | 73.6 | 75 | 58 | 67 | 73 | 208-230/460 | 13.22 | CD0007 | - |
| 0.75 | 0.56 | 1725 | 56C | CM7010A | ② | T3C | 3.2-3/1.5 | 10 | 2.25 | 69.7 | 74.7 | 73 | 42 | 55 | 58 | 208-230/460 | 14.22 | CD0007 | - |
| 1 | 0.75 | 3450 | 56C | CM7013 | ② | T3C | 3.7-3.6/1.8 | 11 | 1.5 | 72.1 | 76.8 | 75.5 | 53 | 68 | 71 | 208-230/460 | 13.22 | CD0005 | - |
| 1 | 0.75 | 1740 | 56C | CM7014 | ② | T3C | 3.9-3.6/1.8 | 12.4 | 2.99 | 68 | 73.6 | 75.5 | 45 | 57 | 67 | 208-230/460 | 14.3 | CD0005 | 19 |
| 1 | 0.75 | 1760 | 143TC | CEM7014T | ② | T3C | 3/1.5 | 12.1 | 2.97 | 81.9 | 84.8 | 85.5 | 49 | 62 | 71 | 230/460 | 14.36 | CD0005 | 19 |
| 1.5 | 1.12 | 3500 | 143TC | CEM7018T | ② | T3C | 3.8/1.9 | 17.9 | 2.22 | 82 | 84.6 | 84 | 67 | 79 | 85 | 230/460 | 14.36 | CD0005 | 19 |
| 1.5 | 1.12 | 1735 | 56C | CM7034 | ② | T3C | 5-4.6/2.3 | 17.5 | 4.5 | 77.3 | 80.9 | 81.5 | 51 | 65 | 74 | 208-230/460 | 14.3 | CD0005 | 19 |
| 1.5 | 1.12 | 1760 | 145TC | CEM7034T | ② | T3C | 4.4/2.2 | 18.3 | 4.47 | 84.5 | 86.9 | 86.5 | 51 | 65 | 73 | 230/460 | 15.23 | CD0005 | 19 |
| 2 | 1.5 | 3490 | 145TC | CEM7071T | ② | T3C | 5/2.5 | 25.9 | 2.98 | 83.5 | 85.9 | 85.5 | 75 | 84 | 88 | 230/460 | 15.23 | CD0005 | 19 |
| 2 | 1.5 | 1735 | 56C | CM7037 | ② | T3C | 6.0/3.0 | 24.8 | 6.05 | 79.2 | 82.2 | 82.5 | 53 | 67 | 76 | 230/460 | 15.17 | CD0005 | 19 |
| 2 | 1.5 | 1755 | 145TC | CEM7037T | ② | T3C | 5.8/2.9 | 24.3 | 5.95 | 84 | 86.5 | 86.5 | 51 | 64 | 73 | 230/460 | 16.1 | CD0005 | 19 |
| 3 | 2.2 | 3450 | 145TC | CEM7075T | ① | T3C | 7.2/3.6 | 33 | 4.5 | 87.9 | 88.2 | 86.5 | 81 | 88 | 92 | 230/460 | 16.09 | CD0005 | - |
| 3 | 2.2 | 1760 | 182TC | CEM7042T | ② | T3C | 8.4/4.2 | 30.8 | 7.1 | 86 | 88.5 | 89.5 | 49 | 62 | 75 | 230/460 | 18.86 | CD0005 | 19 |
| 5 | 4 | 3450 | 184TC | CEM7072T | ② | T3C | 11.8/5.9 | 57.2 | 7.67 | 88.9 | 89.4 | 88.5 | 81 | 88 | 91 | 230/460 | 18.86 | CD0005 | 19, 35 |
| 5 | 4 | 1750 | 184TC | CEM7044T | ② | T3C | 13.4/6.7 | 49.1 | 14.9 | 89.7 | 90.3 | 89.5 | 60 | 72 | 78 | 230/460 | 19.55 | CD0005 | 19 |
| 7.5 | 5.6 | 3450 | 184TC | CEM7073T | ① | T2C | 16.8/8.4 | 91 | 11.4 | 90.6 | 90.7 | 89.5 | 85 | 90 | 93 | 230/460 | 20.36 | CD0005 | 35 |
| 7.5 | 5.6 | 3470 | 213TC | CEM7045T | ② | T3C | 17.2/8.6 | 63.1 | 11.1 | 89.1 | 90.2 | 89.5 | 80 | 87 | 90 | 230/460 | 20.33 | CD0005 | 19 |
| 7.5 | 5.6 | 1770 | 213TC | CEM7047T | ② | T3C | 18.8/9.4 | 69.3 | 17.8 | 90.8 | 91.9 | 91.7 | 56 | 70 | 81 | 230/460 | 21.08 | CD0005 | 19, 35 |
| 10 | 7.5 | 3500 | 215TC | CEM7174T | ② | T3C | 22.2/11.1 | 88.5 | 14.9 | 93 | 93.2 | 92.4 | 79 | 88 | 90 | 230/460 | 20.65 | CD0005 | 19 |
| 10 | 7.5 | 1760 | 215TC | CEM7170T | ② | T3C | 24.4/12.2 | 81 | 29.8 | 92.5 | 92.9 | 91.7 | 71 | 80 | 83 | 230/460 | 20.65 | CD0005 | 19 |
| 15 | 11 | 3520 | 254TC | CEM7053T | ② | T3C | 35/17.5 | 110 | 22.1 | 91 | 91.6 | 91 | 77 | 85 | 87 | 230/460 | 26 | CD0180 | 19 |
| 15 | 11 | 1765 | 254TC | CEM7054T | ② | T3C | 36/18 | 125 | 45 | 92.1 | 93 | 92.4 | 71 | 81 | 84 | 230/460 | 26 | CD0005 | 19 |
| 20 | 15 | 3520 | 256TC | CEM7059T | ② | T3C | 46/23 | 161 | 29.6 | 92.2 | 92.4 | 91 | 78 | 86 | 89 | 230/460 | 26 | CD0005 | 19 |
| 20 | 15 | 1765 | 256TC | CEM7056T | ② | T3C | 48/24 | 166 | 54.1 | 92.5 | 93.2 | 93 | 72 | 81 | 84 | 230/460 | 26 | CD0180 | 19 |
| 25 | 18.7 | 3520 | 284TSC | CEM7063T | ② | T3C | 57/28.5 | 177 | 37.4 | 91.5 | 91.7 | 91.7 | 80 | 87 | 89 | 230/460 | 27.24 | CD0180 | 19 |
| 25 | 18.7 | 1780 | 284TC | CEM7058T | ② | T3C | 61/30.5 | 179 | 71.2 | 91.5 | 92.2 | 93.6 | 69 | 79 | 82 | 230/460 | 28.61 | CD0005 | 19 |
| 30 | 22.4 | 1770 | 286TC | CEM7060T | ② | T3C | 72/36 | 235 | 89.1 | 93.7 | 94.3 | 93.6 | 66 | 75 | 83 | 230/460 | 28.61 | CD0005 | 19 |
| 40 | 29 | 1775 | 324TC | CEM7062T | ② | T3C | 96/48 | 334 | 118 | 93.6 | 94.4 | 94.1 | 67 | 77 | 82 | 230/460 | 32 | CD0180 | 19 |
| 50 | 37 | 1775 | 326TC | CEM7064T | ② | T3C | 114/57 | 392 | 149 | 94.4 | 94.9 | 94.5 | 73 | 82 | 87 | 230/460 | 32 | CD0180 | 19 |

Cast Iron Frame

① Class I, Group D

② Class I, Group D, Class II, Group F & G

19 60/50 Hertz motor. 60 Hertz data shown, contact your local Baldor•Reliance office for 50 Hertz data.

35 Design A, Exceeds Design B in rush limits

CAUTION: These Explosion-proof motors are not suitable for use with adjustable speed drives. Inverter Duty Explosion-proof motors must be used, see page 27.

Single Phase, C-Face, Footless

| Hp | kW | RPM | NEMA Frame | Catalog Number | XP Cls & Grp | XP Temp Code | Amps @ High V | | Full Load Torque Lb. Ft. | Efficiency % | | | Power Factor % | | | Voltage | "C" Dim. | Conn. Diag. Number | Notes |
|------|------|------|------------|----------------|--------------|--------------|---------------|--------------|--------------------------|--------------|------|-----------|----------------|--------|--------------|-------------|----------|--------------------|-------|
| | | | | | | | Full Load | Locked Rotor | | 1/2 | 3/4 | Full Load | 1/2 PF | 3/4 PF | Full Load PF | | | | |
| 0.25 | 0.18 | 1725 | 56C | VL5000A | (2) | T3C | 4.2/2-2.1 | 10.8 | 0.762 | 50 | 60.6 | 62 | 47 | 54 | 64 | 115/208-230 | 13.22 | CD0565 | - |
| 0.33 | 0.25 | 3450 | 56C | VL4005A | (2) | T3C | 7/3.5 | 37 | 0.489 | 40 | 48.9 | 57 | 43 | 50 | 71 | 115/230 | 13.22 | CD0565 | - |
| 0.33 | 0.25 | 1725 | 56C | VL5001A | (2) | T3C | 6/3.2-3 | 13 | 1 | 41 | 52 | 60 | 41 | 52 | 60 | 115/208-230 | 13.22 | CD0565 | - |
| 0.33 | 0.25 | 1140 | 56C | VL5002A | (2) | T4 | 6.8/3.4 | 13 | 1.5 | 41.5 | 50.1 | 54 | 42 | 50 | 56 | 115/230 | 14.3 | CD0008 | - |
| 0.5 | 0.37 | 3450 | 56C | VL5003A | (2) | T3C | 7.4/3.7 | 18.5 | 0.75 | 49.7 | 57.4 | 57 | 49 | 61 | 71 | 115/230 | 13.22 | CD0565 | - |
| 0.5 | 0.37 | 1725 | 56C | VL5004A | (2) | T3C | 7.4/3.9-3.7 | 19.41 | 1.5 | 55.2 | 62 | 64 | 48 | 59 | 66 | 115/208-230 | 14.22 | CD0565 | - |
| 0.5 | 0.37 | 1140 | 56C | VL5005A | (2) | T4 | 8.0/4.0 | 19 | 2.25 | 57 | 62.3 | 59 | 41 | 49 | 63 | 115/230 | 15.17 | CD0008 | - |
| 0.75 | 0.56 | 3450 | 56C | VL5006A | (2) | T4 | 9.8/4.9 | 28.3 | 1.13 | 50 | 58 | 62 | 60 | 70 | 75 | 115/230 | 14.3 | CD0008 | - |
| 0.75 | 0.56 | 1725 | 56C | VL5007A | (2) | T4 | 10.6/5.3 | 34 | 2.25 | 58.2 | 65.4 | 66 | 45 | 56 | 68 | 115/230 | 15.17 | CD0008 | - |
| 1 | 0.75 | 3450 | 56C | VL5009A | (2) | T4 | 12.0/6.0 | 37.9 | 1.51 | 63.2 | 68.3 | 66 | 66 | 76 | 81 | 115/230 | 15.17 | CD0008 | - |
| 1 | 0.75 | 1725 | 56C | VL5023A | (1) | T2C | 13/6.5 | 37 | 3 | 63 | 66.8 | 67 | 53 | 65 | 73 | 115/230 | 15.17 | CD0008 | - |
| 1.5 | 1.12 | 3450 | 56C | VL5030 | (2) | T3C | 15/7.9-7.5 | 42 | 2.3 | 65.3 | 68.4 | 70 | 64 | 73 | 82 | 115/208-230 | 15.17 | CD0001 | - |
| 1.5 | 1.12 | 1725 | 56C | VL5024A | (1) | T2C | 16/8 | 47 | 4.5 | 73.9 | 77.8 | 75 | 59 | 72 | 78 | 115/230 | 17.42 | CD0008 | - |
| 2 | 1.5 | 1725 | 184C | VL5027 | (1) | T2C | 22/11.6-11 | 61 | 6 | 72.3 | 74.3 | 75 | 58 | 69 | 81 | 115/208-230 | 18.43 | CD0001 | - |

Three Phase, C-Face, Footless

| Hp | kW | RPM | NEMA Frame | Catalog Number | XP Cls & Grp | XP Temp Code | Amps @ High V | | Full Load Torque Lb. Ft. | Efficiency % | | | Power Factor % | | | Voltage | "C" Dim. | Conn. Diag. Number | Notes |
|------|------|------|------------|----------------|--------------|--------------|---------------|--------------|--------------------------|--------------|------|-----------|----------------|--------|--------------|-------------|----------|--------------------|--------|
| | | | | | | | Full Load | Locked Rotor | | 1/2 | 3/4 | Full Load | 1/2 PF | 3/4 PF | Full Load PF | | | | |
| 0.25 | 0.18 | 1725 | 56C | VM7001A | (2) | T3C | 1.4-1.3/7 | 3.45 | 0.75 | 55.5 | 62.5 | 63 | 33 | 43 | 56 | 208-230/460 | 13.22 | CD0007 | - |
| 0.33 | 0.25 | 1725 | 56C | VM7002A | (2) | T3C | 1.8-1.6/8 | 4.4 | 1 | 59 | 65 | 67 | 40 | 50 | 57 | 208-230/460 | 13.22 | CD0007 | - |
| 0.5 | 0.37 | 3450 | 56C | VM7005A | (2) | T3C | 2.4-2.2/1.1 | 6 | 0.75 | 56.3 | 64 | 68 | 44 | 56 | 63 | 208-230/460 | 13.22 | CD0007 | - |
| 0.5 | 0.37 | 1725 | 56C | VM7006A | (2) | T3C | 2.1-2/1 | 6.7 | 1.5 | 65 | 71.7 | 74 | 39 | 51 | 63 | 208-230/460 | 13.22 | CD0007 | - |
| 0.5 | 0.37 | 1140 | 56C | VM7007A | (2) | T4 | 2.5-2.4/1.2 | 5.8 | 2.25 | 57 | 64 | 70 | 37 | 47 | 55 | 208-230/460 | 14.3 | CD0007 | - |
| 0.75 | 0.56 | 3450 | 56C | VM7009A | (2) | T3C | 2.7-2.6/1.3 | 7.6 | 1.2 | 70.6 | 73.6 | 75 | 58 | 67 | 73 | 208-230/460 | 13.22 | CD0007 | - |
| 0.75 | 0.56 | 1725 | 56C | VM7010A | (2) | T3C | 3.2-3/1.5 | 10 | 2.25 | 69.7 | 74.7 | 73 | 42 | 55 | 58 | 208-230/460 | 14.22 | CD0007 | - |
| 0.75 | 0.56 | 1140 | 56C | VM7031A | (2) | T4 | 3-2.8/1.4 | 8 | 3.4 | 71 | 75 | 77 | 42 | 55 | 63 | 208-230/460 | 15.17 | CD0007 | - |
| 1 | 0.75 | 3450 | 56C | VM7013 | (2) | T3C | 3.7-3.6/1.8 | 19.6 | 1.51 | 76.7 | 79.7 | 75.5 | 65 | 75 | 71 | 208-230/460 | 13.22 | CD0005 | - |
| 1 | 0.75 | 1725 | 56C | VM7014 | (2) | T3C | 3.8-3.6/1.8 | 14.6 | 3 | 70.5 | 76 | 75.5 | 46 | 57 | 64 | 208-230/460 | 15.22 | CD0005 | - |
| 1 | 0.75 | 1750 | 143TC | VM7014T | (2) | T3C | 3.2/1.6 | 13.2 | 2.99 | 78 | 81.4 | 82.5 | 50 | 63 | 73 | 230/460 | 14.33 | CD0005 | 19 |
| 1 | 0.75 | 1155 | 56C | VM7032 | (1) | T2C | 3.8/1.9 | 10.3 | 4.52 | 73.9 | 77.8 | 78.5 | 41 | 54 | 63 | 230/460 | 14.3 | CD0005 | - |
| 1.5 | 1.12 | 3450 | 143TC | VM7018T | (2) | T3C | 4.2/2.1 | 16.4 | 2.25 | 80.6 | 82.7 | 82.5 | 75 | 83 | 88 | 230/460 | 14.33 | CD0005 | 19 |
| 1.5 | 1.12 | 1735 | 56C | VM7034 | (2) | T3C | 5-4.6/2.3 | 17.5 | 4.5 | 77.3 | 80.9 | 81.5 | 51 | 65 | 74 | 208-230/460 | 14.3 | CD0005 | 19 |
| 1.5 | 1.12 | 1755 | 145TC | VM7034T | (2) | T3C | 4.8/2.4 | 19 | 4.43 | 79.4 | 83 | 84 | 48 | 62 | 70 | 230/460 | 15.21 | CD0005 | 19 |
| 1.5 | 1.12 | 1150 | 145TC | VM7035T | (1) | T2C | 5.4/2.7 | 20.2 | 6.78 | 82.1 | 84.9 | 85.5 | 41 | 53 | 61 | 208-230/460 | 17.48 | CD0005 | - |
| 2 | 1.5 | 3450 | 145TC | VM7071T | (2) | T3C | 5.2/2.6 | 22.7 | 2.71 | 77.2 | 80.3 | 84 | 73 | 80 | 88 | 230/460 | 15.21 | CD0005 | 19 |
| 2 | 1.5 | 1735 | 56C | VM7037 | (2) | T3C | 6.0/3.0 | 24.8 | 6.05 | 79.2 | 82.2 | 82.5 | 53 | 67 | 76 | 230/460 | 15.17 | CD0005 | 19 |
| 2 | 1.5 | 1750 | 145TC | VM7037T | (2) | T3C | 6.2/3.1 | 23.8 | 5.96 | 81 | 83.6 | 84 | 50 | 63 | 72 | 230/460 | 15.21 | CD0005 | 19 |
| 3 | 2.2 | 3450 | 145TC | VM7075T | (1) | T2C | 7.9-7.4/3.7 | 35.5 | 4.67 | 85.6 | 86.6 | 85.5 | 78 | 86 | 90 | 208-230/460 | 16.1 | CD0005 | - |
| 3 | 2.2 | 3460 | 182TC | VM7026T | (2) | T3C | 7.8-7.4/3.7 | 30.5 | 4.7 | 84.9 | 86.2 | 85.5 | 80 | 88 | 91 | 208-230/460 | 17.49 | CD0005 | 19 |
| 3 | 2.2 | 1750 | 182TC | VM7042T | (2) | T3C | 8.2/4.1 | 69.2 | 9.01 | 86.4 | 88.1 | 87.5 | 58 | 70 | 78 | 230/460 | 18.86 | CD0005 | 19 |
| 5 | 4 | 3465 | 184TC | VM7072T | (2) | T3C | 11.2/5.6 | 55.2 | 5.45 | 81.6 | 85 | 87.5 | 81 | 89 | 93 | 230/460 | 18.06 | CD0005 | 19, 35 |
| 5 | 4 | 1745 | 184TC | VM7044T | (2) | T3C | 13.6/6.8 | 48.4 | 15 | 87.1 | 88.3 | 87.5 | 59 | 72 | 78 | 230/460 | 18.06 | CD0005 | 19, 35 |
| 7.5 | 5.6 | 3450 | 184TC | VM7073T | (1) | T2C | 17.4/8.7 | 98.8 | 11.5 | 88.4 | 89.3 | 88.5 | 83 | 91 | 93 | 230/460 | 20.36 | CD0005 | 35 |
| 7.5 | 5.6 | 3500 | 213TC | VM7045T | (2) | T3C | 17.8/8.9 | 73.8 | 11.3 | 87.4 | 89.2 | 88.5 | 81 | 87 | 89 | 230/460 | 19.19 | CD0005 | 19, 35 |
| 7.5 | 5.6 | 1770 | 213TC | VM7047T | (2) | T3C | 20.2/10.1 | 77.5 | 22.2 | 88.1 | 89.7 | 89.5 | 58 | 71 | 77 | 230/460 | 19.19 | CD0005 | 19, 35 |
| 10 | 7.5 | 1760 | 215TC | VM7170T | (2) | T3C | 26/13 | 85.5 | 26.9 | 87.2 | 88.7 | 89.5 | 61 | 72 | 80 | 230/460 | 20.65 | CD0005 | 19 |

(1) Class I, Group D

(2) Class I, Group D, Class II, Group F & G

19 60/50 Hertz motor. 60 Hertz data shown, contact your local Baldor•Reliance office for 50 Hertz data.

35 Design A, Exceeds Design B in rush limits

CAUTION: These Explosion-proof motors are not suitable for use with adjustable speed drives. Inverter Duty Explosion-proof motors must be used, see page 27.

Three Phase, 575 Volt, C-Face, Footless

| Hp | kW | RPM | NEMA Frame | Catalog Number | XP Cls & Grp | XP Temp Code | Amps @ High V | | Full Load Torque Lb. Ft. | Efficiency % | | | Power Factor % | | | Voltage | "C" Dim. | Conn. Diag. Number | Notes |
|------|------|------|------------|----------------|--------------|--------------|---------------|--------------|--------------------------|--------------|------|-----------|----------------|--------|--------------|---------|----------|--------------------|-------|
| | | | | | | | Full Load | Locked Rotor | | 1/2 | 3/4 | Full Load | 1/2 PF | 3/4 PF | Full Load PF | | | | |
| 0.5 | 0.37 | 1725 | 56C | VM7006-5 | Ⓜ | T3C | 0.9 | 5.9 | 1.5 | 59 | 66.7 | 74 | 41 | 52 | 60 | 575 | 14.3 | CD0006 | - |
| 0.75 | 0.56 | 1725 | 56C | VM7010-5 | Ⓜ | T3C | 1.2 | 6.7 | 2.3 | 64 | 70.4 | 76 | 46 | 58 | 69 | 575 | 14.3 | CD0006 | - |
| 1 | 0.75 | 1740 | 56C | VM7014-5 | Ⓜ | T3C | 1.5 | 9.57 | 2.99 | 67.4 | 72.9 | 75.5 | 45 | 57 | 67 | 575 | 14.3 | CD0006 | - |
| 1 | 0.75 | 1760 | 143TC | VEM7014T-5 | Ⓜ | T3C | 1.2 | 9.66 | 2.97 | 81.9 | 84.4 | 85.5 | 49 | 62 | 71 | 575 | 14.33 | CD0006 | - |
| 1 | 0.75 | 1740 | 143TC | VM7014T-5 | Ⓜ | T3C | 1.2 | 7.8 | 3 | 81.2 | 82.9 | 82.5 | 63 | 74 | 80 | 575 | 14.33 | CD0006 | - |
| 1.5 | 1.12 | 1760 | 145TC | VEM7034T-5 | Ⓜ | T3C | 1.8 | 14.6 | 4.47 | 84.5 | 87 | 86.5 | 51 | 65 | 73 | 575 | 15.21 | CD0006 | - |
| 1.5 | 1.12 | 1755 | 145TC | VM7034T-5 | Ⓜ | T3C | 1.9 | 15.2 | 4.43 | 79.1 | 83.1 | 84 | 48 | 61 | 70 | 575 | 15.21 | CD0006 | - |
| 2 | 1.5 | 1755 | 145TC | VEM7037T-5 | Ⓜ | T3C | 2.4 | 19.6 | 5.95 | 83.8 | 86.4 | 86.5 | 50 | 64 | 73 | 575 | 16.09 | CD0006 | - |
| 2 | 1.5 | 1740 | 145TC | VM7037T-5 | Ⓜ | T3C | 2.2 | 16.8 | 6 | 83.8 | 85.2 | 84 | 61 | 73 | 79 | 575 | 15.21 | CD0006 | - |
| 3 | 2.2 | 1760 | 182TC | VEM7042T-5 | Ⓜ | T3C | 3.3 | 25.9 | 8.88 | 87.7 | 89.5 | 89.5 | 54 | 67 | 75 | 575 | 18.86 | CD0006 | - |
| 3 | 2.2 | 1750 | 182TC | VM7042T-5 | Ⓜ | T3C | 3.3 | 25.9 | 8.9 | 86.1 | 87.8 | 87.5 | 59 | 71 | 78 | 575 | 18.86 | CD0006 | - |
| 5 | 4 | 1750 | 184TC | VEM7044T-5 | Ⓜ | T3C | 5.3 | 39.3 | 14.9 | 89.6 | 90.5 | 89.5 | 60 | 72 | 78 | 575 | 18.86 | CD0006 | - |
| 5 | 4 | 1750 | 184TC | VM7044T-5 | Ⓜ | T3C | 5.2 | 41 | 15 | 87.3 | 88.4 | 87.5 | 63 | 74 | 80 | 575 | 18.8 | CD0006 | - |
| 7.5 | 5.6 | 1770 | 213TC | VM7047T-5 | Ⓜ | T3C | 8.1 | 61.4 | 22.2 | 88.4 | 89.6 | 89.5 | 59 | 71 | 77 | 575 | 19.19 | CD0006 | - |

Ⓜ Class I, Group D, Class II, Group F & G

CAUTION: These Explosion-proof motors are not suitable for use with adjustable speed drives. Inverter Duty Explosion-proof motors must be used, see page 27.

Severe Duty, Explosion-Proof Motors Rigid Base, 1.15 Service Factor



These Baldor motors are built suitable for harsh industrial environments requiring protection against corrosion, that contain hazardous gas and vapor, dust fibers, filings or other material that may have explosive properties. 1.15 Service factor, Severe Duty design includes rugged cast iron construction with corrosion resistant epoxy finish. Shaft slingers & inner caps installed on both ends of motor for bearing protection. Includes normally closed thermostats. UL & CSA approved for Division 1 Class I, Group D, Class II, Group E, F & G, T3C temperature code.

Three Phase, Foot Mounted

| Hp | kW | RPM | NEMA Frame | Catalog Number | XP Cls & Grp | XP Temp Code | Amps @ High V | | Full Load Torque Lb. Ft. | Efficiency % | | | Power Factor % | | | Voltage | "C" Dim. | Conn. Diag. Number | Notes |
|-----|------|------|------------|----------------|--------------|--------------|---------------|--------------|--------------------------|--------------|------|-----------|----------------|--------|--------------|---------|----------|--------------------|-------|
| | | | | | | | Full Load | Locked Rotor | | 1/2 | 3/4 | Full Load | 1/2 PF | 3/4 PF | Full Load PF | | | | |
| 3 | 2.2 | 1755 | 182T | EM7542T-I | ③ | T3C | 8.2/4.1 | 29.8 | 9.06 | 88.9 | 90.1 | 89.5 | 58 | 70 | 77 | 230/460 | 17.59 | CD0005 | - |
| 3 | 2.2 | 1165 | 213T | EM7536T-I | ③ | T3C | 9/4.5 | 33.2 | 13.6 | 89 | 90.1 | 89.5 | 53 | 64 | 71 | 230/460 | 20.02 | CD0005 | - |
| 5 | 4 | 3505 | L184T | EM7572T-I | ③ | T3C | 12./6.0 | 44 | 7.49 | 89.2 | 89.6 | 88.5 | 74.3 | 83.7 | 87.7 | 230/460 | 17.12 | 416820-001 | - |
| 5 | 4 | 1750 | L184T | EM7544T-I | ③ | T3C | 13.2/6.6 | 46 | 15 | 89.4 | 90.1 | 89.5 | 62.3 | 73.6 | 79.9 | 230/460 | 17.12 | 416820-001 | - |
| 5 | 4 | 1165 | L215T | EM7540T-I | ③ | T3C | 13.6/6.8 | 46 | 22.5 | 89.7 | 90.2 | 89.5 | 59.8 | 71 | 76.9 | 230/460 | 20.12 | 416820-001 | - |
| 7.5 | 5.6 | 1770 | 213T | EM7547T-I | ③ | T3C | 19/9.5 | 68 | 22.1 | 91.6 | 92.3 | 91.7 | 65 | 76 | 81 | 230/460 | 20.02 | CD0005 | 35 |
| 7.5 | 5.6 | 1180 | 254T | EM7548T-I | ③ | T3C | 21.4/10.7 | 69.7 | 32.4 | 89.7 | 91.5 | 91.7 | 52 | 63 | 71 | 230/460 | 25.81 | CD0005 | - |
| 10 | 7.5 | 1765 | L215T | EM7670T-I | ③ | T3C | 24.6/12.3 | 81 | 29.8 | 92.3 | 92.4 | 91.7 | 67.9 | 77.9 | 83 | 230/460 | 20.12 | 416820-002 | - |
| 10 | 7.5 | 1170 | 256T | EM7565T-I | ③ | T3C | 25/12.5 | 78 | 44.8 | 91.7 | 91.8 | 91 | 70.2 | 78.8 | 82.2 | 230/460 | 24.56 | 416820-002 | - |
| 15 | 11 | 1765 | 254T | EM7554T-I | ③ | T3C | 37/18.5 | 122.9 | 44.6 | 91.9 | 92.6 | 92.4 | 66 | 77 | 82 | 230/460 | 25.81 | CD0005 | - |
| 20 | 15 | 3520 | 256T | EM7559T-I | ③ | T3C | 44.6/22.3 | 145 | 29.8 | 92.3 | 92.4 | 91.7 | 86.4 | 90.4 | 91.1 | 230/460 | 24.56 | 416820-002 | - |
| 20 | 15 | 1765 | 256T | EM7556T-I | ③ | T3C | 24 | 145 | 59.6 | 93.5 | 93.6 | 93 | 73.5 | 81 | 83.8 | 230/460 | 24.56 | 416820-036 | - |
| 25 | 18.7 | 1770 | 284T | EM7558T-I | ③ | T3C | 60/30.0 | 186 | 74.2 | 92.3 | 93.5 | 93.6 | 73 | 81 | 84 | 230/460 | 28.61 | CD0005 | - |
| 30 | 22.4 | 1765 | 286T | EM7560T-I | ③ | T3C | 72.2/36.1 | 217 | 89.1 | 94.1 | 94.2 | 93.6 | 73.9 | 80.9 | 83.1 | 230/460 | 27.44 | 416820-002 | - |
| 40 | 29 | 1775 | 324T | EM7562T-I | ③ | T3C | 94/47 | 325 | 118 | 93.8 | 94.5 | 94.1 | 74 | 82 | 85 | 230/460 | 32 | CD0180 | - |
| 50 | 37 | 1775 | 326T | EM7564T-I | ③ | T3C | 117/58.8 | 355 | 148 | 95.1 | 95.1 | 94.5 | 75.6 | 82.2 | 84.2 | 230/460 | 30.44 | 416820-002 | - |
| 50 | 37 | 1180 | 365T | EM7585T-I | ③ | T3C | 120/60.1 | 358 | 222 | 94.1 | 94.6 | 94.1 | 70.9 | 79.4 | 83 | 230/460 | 33.44 | 416820-002 | - |
| 60 | 44 | 1780 | 364T | EM7566T-I | ③ | T3C | 136/67.8 | 432 | 177 | 95.4 | 95.5 | 95 | 76.6 | 84.2 | 87 | 230/460 | 33.44 | 416820-002 | - |
| 75 | 56 | 1780 | 365T | EM7568T-I | ③ | T3C | 168/84.1 | 510 | 221 | 96.1 | 95.9 | 95.4 | 78.2 | 85.1 | 87.5 | 230/460 | 33.44 | 416820-002 | - |
| 75 | 56 | 1185 | 405T | EM7587T-I | ③ | T3C | 174/86.9 | 541 | 332 | 95 | 95.3 | 95 | 73 | 81.6 | 85.1 | 230/460 | 38.31 | 416820-002 | - |
| 100 | 75 | 1780 | 405T | EM7590T-I | ③ | T3C | 112 | 708 | 295 | 95.5 | 95.7 | 95.4 | 77.9 | 84.9 | 87.5 | 460 | 38.31 | 416820-036 | - |
| 100 | 75 | 1188 | 444T | EM7599T-I | ③ | T3C | 115 | 725 | 442 | 94.7 | 95.2 | 95 | 77.3 | 83.7 | 85.6 | 460 | 44.62 | 416820-036 | - |
| 125 | 93 | 1785 | 444T | EM7600T-I | ③ | T3C | 139 | 907 | 368 | 95.5 | 95.9 | 95.8 | 81.4 | 86.7 | 87.9 | 460 | 44.62 | 416820-036 | - |
| 150 | 112 | 1785 | 445T | EM7596T-I | ③ | T3C | 165 | 1085 | 441 | 96.4 | 96.6 | 96.2 | 83.1 | 87.7 | 88.5 | 460 | 44.62 | 416820-036 | - |

Cast Iron Frame
 ③ Class I, Group D, Class II, Group E, F & G
 35 Design A, Exceeds Design B in rush limits

CAUTION: These Explosion-proof motors are not suitable for use with adjustable speed drives. Inverter Duty Explosion-proof motors must be used, see page 27.

Drill Rig Duty, Explosion Proof, 1.15 Service Factor

Baldor has a family of explosion proof motors designed for on and off shore drill rig service, bulk fuel terminals, and transfer stations. For use in high humidity hazardous-duty applications driving pumps, compressors, blowers, fans, and many other loads that require 1.15 service factor explosion proof motors. Design includes Class 1, Group C & D approval for use in areas where hydrogen sulfide is present. These motors feature Labyrinth-type recessed shaft slinger for increased bearing protection. Explosion-proof breather/drain to prevent build up of condensation. Class F insulation. Corrosion resistant finish with two part epoxy coating. Suitable for 55°C at 1.0 service factor. UL and CSA approved for Division 1, Class I, Group C & D.



Three Phase, Foot Mounted

| Hp | kW | RPM | NEMA Frame | Catalog Number | XP Cls & Grp | XP Temp Code | Amps @ High V | | Full Load Torque Lb. Ft. | Efficiency % | | | Power Factor % | | | Voltage | "C" Dim. | Conn. Diag. Number | Notes |
|-----|------|------|------------|----------------|--------------|--------------|---------------|--------------|--------------------------|--------------|------|-----------|----------------|--------|--------------|---------|----------|--------------------|--------|
| | | | | | | | Full Load | Locked Rotor | | 1/2 | 3/4 | Full Load | 1/2 PF | 3/4 PF | Full Load PF | | | | |
| 1 | 0.75 | 3450 | 143T | EM7013T-I | (4) | T3C | 2.8/1.4 | 10.5 | 1.47 | 71.7 | 76.4 | 77 | 72 | 82 | 87 | 230/460 | 14.12 | CD0005 | 19 |
| 1 | 0.75 | 1760 | 143T | EM7014T-I | (4) | T3C | 3/1.5 | 12.1 | 2.97 | 82.1 | 84.8 | 85.5 | 49 | 62 | 71 | 230/460 | 14.12 | CD0005 | 19 |
| 1 | 0.75 | 1155 | 145T | EM7032T-I | (4) | T3C | 3.6/1.8 | 10.8 | 4.51 | 79.4 | 82.3 | 82.5 | 43 | 55 | 64 | 230/460 | 15.09 | CD0005 | 19 |
| 1.5 | 1.12 | 3500 | 143T | EM7018T-I | (4) | T3C | 3.8/1.9 | 17.9 | 2.22 | 82 | 84.6 | 84 | 67 | 79 | 85 | 230/460 | 14.12 | CD0005 | 19 |
| 1.5 | 1.12 | 1760 | 143T | EM7034T-I | (4) | T3C | 4.4/2.2 | 18.3 | 4.47 | 84.5 | 86.9 | 86.5 | 51 | 65 | 73 | 230/460 | 15.09 | CD0005 | 19 |
| 1.5 | 1.12 | 1170 | 182T | EM7020T-I | (4) | T3C | 5.2/2.6 | 14.7 | 6.8 | 86 | 88.3 | 87.5 | 42 | 53 | 61 | 230/460 | 18.27 | CD0005 | 19 |
| 2 | 1.5 | 3490 | 145T | EM7071T-I | (4) | T3C | 5/2.5 | 25.9 | 2.98 | 83.6 | 85.7 | 85.5 | 75 | 84 | 88 | 230/460 | 15.09 | CD0005 | 19 |
| 2 | 1.5 | 1755 | 145T | EM7037T-I | (4) | T3C | 5.8/2.9 | 22.9 | 5.37 | 82.9 | 85.5 | 86.5 | 49 | 62 | 73 | 230/460 | 15.81 | CD0005 | 19 |
| 2 | 1.5 | 1170 | 184T | EM7041T-I | (4) | T3C | 7/3.5 | 20.9 | 9 | 86.7 | 88.6 | 88.5 | 41 | 52 | 61 | 230/460 | 19.52 | CD0005 | 19 |
| 3 | 2.2 | 3450 | 182T | EM7026T-I | (4) | T3C | 7.4/3.7 | 33.3 | 4.7 | 86.2 | 87.3 | 86.5 | 82 | 88 | 91 | 230/460 | 16.77 | CD0005 | 19 |
| 3 | 2.2 | 1760 | 182T | EM7042T-I | (4) | T3C | 8.4/4.2 | 30.8 | 7.1 | 86 | 88.5 | 89.5 | 49 | 62 | 75 | 230/460 | 18.27 | CD0005 | 19 |
| 3 | 2.2 | 1160 | 213T | EM7036T-I | (4) | T3C | 9.2/4.6 | 34.4 | 13.4 | 87.7 | 89.4 | 89.5 | 49 | 61 | 68 | 230/460 | 20.32 | CD0005 | 19 |
| 5 | 4 | 3470 | 184T | EM7072T-I | (4) | T3C | 11.2/5.6 | 59.3 | 7.66 | 90.7 | 90.8 | 90.2 | 83 | 90 | 94 | 230/460 | 18.27 | CD0005 | 19, 35 |
| 5 | 4 | 1750 | 184T | EM7044T-I | (4) | T3C | 13/6.5 | 53.7 | 15 | 89.7 | 90.7 | 89.5 | 62 | 74 | 80 | 230/460 | 19.52 | CD0005 | 19 |
| 5 | 4 | 1160 | 215T | EM7040T-I | (4) | T3C | 14.6/7.3 | 51.6 | 22.7 | 89.8 | 90.4 | 89.5 | 55 | 66 | 72 | 230/460 | 22.32 | CD0005 | 19, 35 |
| 7.5 | 5.6 | 3470 | 213T | EM7045T-I | (4) | T3C | 17.2/8.6 | 63.1 | 11.1 | 89.1 | 90.2 | 89.5 | 80 | 87 | 90 | 230/460 | 19.57 | CD0005 | 19 |
| 7.5 | 5.6 | 1770 | 213T | EM7047T-I | (4) | T3C | 18.8/9.4 | 69.3 | 17.8 | 90.8 | 91.9 | 91.7 | 56 | 70 | 81 | 230/460 | 20.32 | CD0005 | 19, 35 |
| 7.5 | 5.6 | 1190 | 254T | EM7048T-I | (4) | T3C | 21.4/10.7 | 67 | 32.4 | 89.3 | 90.7 | 91 | 53 | 64 | 70 | 230/460 | 25.5 | CD0005 | 19 |
| 10 | 7.5 | 3500 | 215T | EM7174T-I | (4) | T3C | 22.2/11.1 | 88.5 | 14.9 | 93 | 93.2 | 92.4 | 79 | 88 | 90 | 230/460 | 20.03 | CD0005 | 19 |
| 10 | 7.5 | 1765 | 215T | EM7170T-I | (4) | T3C | 24.6/12.3 | 92.9 | 26.8 | 93.4 | 92.3 | 92.4 | 61 | 74 | 81 | 230/460 | 20.03 | CD0005 | 19, 35 |
| 10 | 7.5 | 1180 | 256T | EM7065T-I | (4) | T3C | 30/15 | 95.3 | 44.4 | 89.8 | 91.4 | 91 | 52 | 63 | 70 | 230/460 | 25.5 | CD0005 | 19 |
| 15 | 11 | 3520 | 254T | EM7053T-I | (4) | T3C | 35/17.5 | 110 | 22.1 | 91 | 91.6 | 91 | 77 | 85 | 87 | 230/460 | 25.5 | CD0180 | 19 |
| 15 | 11 | 1765 | 254T | EM7054T-I | (4) | T3C | 36/18 | 125 | 45 | 92.1 | 93 | 92.4 | 71 | 81 | 84 | 230/460 | 25.5 | CD0005 | 19 |
| 15 | 11 | 1180 | 284T | EM7057T-I | (4) | T3C | 40/20 | 122 | 65.7 | 90.6 | 92 | 91.7 | 58 | 69 | 75 | 230/460 | 28.61 | CD0180 | 19 |
| 20 | 15 | 3530 | 256T | EM7059T-I | (4) | T3C | 44/22 | 171 | 29.8 | 92.5 | 93 | 91 | 87 | 91 | 91 | 230/460 | 25.5 | CD0180 | 19, 35 |
| 20 | 15 | 1765 | 256T | EM7056T-I | (4) | T3C | 48/24 | 171 | 60 | 92.9 | 93.5 | 93 | 74 | 83 | 84 | 230/460 | 25.5 | CD0180 | 19 |
| 20 | 15 | 1180 | 286T | EM7079T-I | (4) | T3C | 54/27 | 165 | 89.4 | 91.1 | 91.9 | 91.7 | 60 | 71 | 77 | 230/460 | 28.61 | CD0180 | 19, 35 |
| 25 | 18.7 | 3520 | 284TS | EM7063T-I | (4) | T3C | 57/28.5 | 177 | 37.4 | 91.5 | 91.7 | 91.7 | 80 | 87 | 89 | 230/460 | 27.23 | CD0180 | 19 |
| 25 | 18.7 | 1780 | 284T | EM7058T-I | (4) | T3C | 61/30.5 | 188 | 74 | 93.4 | 93.9 | 93.6 | 69 | 78 | 82 | 230/460 | 28.61 | CD0005 | 19 |
| 25 | 18.7 | 1180 | 324T | EM7082T-I | (4) | T3C | 63/32 | 198 | 111 | 92.8 | 93.5 | 93 | 65 | 75 | 79 | 230/460 | 32 | CD0180 | 19, 35 |
| 30 | 22.4 | 3520 | 286TS | EM7083T-I | (4) | T3C | 66/33 | 194 | 44.6 | 92.9 | 93.3 | 91.7 | 85 | 90 | 90 | 230/460 | 27.23 | CD0180 | 19 |
| 30 | 22.4 | 1770 | 286T | EM7060T-I | (4) | T3C | 72/36 | 235 | 89.1 | 93.7 | 94.3 | 93.6 | 66 | 75 | 83 | 230/460 | 28.61 | CD0005 | 19 |
| 30 | 22.4 | 1180 | 326T | EM7080T-I | (4) | T3C | 78/39 | 243 | 133 | 92.5 | 93.2 | 93 | 62 | 73 | 78 | 230/460 | 32 | CD0005 | 19, 35 |
| 40 | 29 | 3530 | 324TS | EM7067T-I | (4) | T3C | 92/46 | 305 | 59.2 | 91.6 | 92.6 | 92.4 | 79 | 86 | 88 | 230/460 | 30.5 | CD0180 | 19 |
| 40 | 29 | 1775 | 324T | EM7062T-I | (4) | T3C | 96/48 | 338 | 118 | 93.5 | 94.2 | 94.1 | 69 | 78 | 82 | 230/460 | 32 | CD0180 | 19 |
| 40 | 29 | 1180 | 364T | EM7084T-I | (4) | T3C | 94.4/47.2 | 275 | 178 | 94.4 | 94.5 | 94.1 | 74 | 81.5 | 84.3 | 230/460 | 33.44 | 416820-002 | 19 |
| 50 | 37 | 3540 | 326TS | EM7081T-I | (4) | T3C | 112/56 | 4.8 | 74.4 | 93.8 | 94.2 | 93 | 82 | 88 | 90 | 230/460 | 30.5 | CD0180 | 19, 35 |
| 50 | 37 | 1775 | 326T | EM7064T-I | (4) | T3C | 114/57 | 384 | 143 | 94.5 | 94.4 | 94.5 | 73 | 82 | 87 | 230/460 | 32 | CD0180 | 19 |
| 50 | 37 | 1180 | 365T | EM7085T-I | (4) | T3C | 120/60.1 | 358 | 222 | 94.4 | 94.6 | 94.1 | 70.9 | 79.4 | 82.7 | 230/460 | 33.44 | 416820-002 | 19 |
| 60 | 44 | 3560 | 364TS | EM7310T-I | (4) | T3C | 135/67.3 | 415 | 88.5 | 92.7 | 93.7 | 93.6 | 79.6 | 86.4 | 89 | 230/460 | 31.31 | 416820-002 | 19 |
| 60 | 44 | 1780 | 364T | EM7066T-I | (4) | T3C | 136/67.8 | 432 | 177 | 95.4 | 95.5 | 95 | 76.6 | 84.2 | 87 | 230/460 | 33.44 | 416820-002 | 19 |
| 60 | 44 | 1185 | 404T | EM7086T-I | (4) | T3C | 135/67.3 | 434 | 266 | 94.6 | 94.9 | 94.5 | 79.3 | 86 | 88.3 | 230/460 | 38.31 | 416820-002 | 19 |
| 75 | 56 | 3555 | 365TS | EM7313T-I | (4) | T3C | 167/83.4 | 465 | 111 | 93 | 93.8 | 93.6 | 83 | 88.3 | 89.9 | 230/460 | 31.31 | 416820-002 | 19 |
| 75 | 56 | 1780 | 365T | EM7068T-I | (4) | T3C | 168/84.1 | 510 | 221 | 96.1 | 95.9 | 95.4 | 78.2 | 85.1 | 87.5 | 230/460 | 33.44 | 416820-002 | 19 |
| 75 | 56 | 1185 | 405T | EM7087T-I | (4) | T3C | 168/84.2 | 537 | 333 | 94.8 | 95 | 94.5 | 79.3 | 85.9 | 88.3 | 230/460 | 38.31 | 416820-002 | 19 |
| 100 | 75 | 1780 | 405T | EM7090T-I | (4) | T3C | 224/112 | 708 | 295 | 95.5 | 95.7 | 95.4 | 77.9 | 84.9 | 87.5 | 230/460 | 38.31 | 416820-002 | 19 |

Cast Iron Frame

CAUTION: These Explosion-proof motors are not suitable for use with adjustable speed drives. Inverter Duty Explosion-proof motors must be used, see page 27.

(4) Class I, Group C & D

19 60/50 Hertz motor. 60 Hertz data shown, contact your local Baldor•Reliance office for 50 Hertz data.

35 Design A, Exceeds Design B in rush limits

Drill Rig Duty, Three Phase, 575 Volt, Foot Mounted

| Hp | kW | RPM | NEMA Frame | Catalog Number | XP Cls & Grp | XP Temp Code | Amps @ High V | | Full Load Torque Lb. Ft. | Efficiency % | | | Power Factor % | | | Voltage | "C" Dim. | Conn. Diag. Number | Notes |
|-----|------|------|------------|----------------|--------------|--------------|---------------|--------------|--------------------------|--------------|------|-----------|----------------|--------|--------------|---------|----------|--------------------|-------|
| | | | | | | | Full Load | Locked Rotor | | 1/2 | 3/4 | Full Load | 1/2 PF | 3/4 PF | Full Load PF | | | | |
| 3 | 2.2 | 1760 | 182T | EM7042T-I-5 | (4) | T3C | 3.3 | 25.9 | 8.88 | 87.7 | 89.5 | 89.5 | 54 | 67 | 75 | 575 | 18.27 | CD0006 | - |
| 5 | 4 | 1750 | 184T | EM7044T-I-5 | (4) | T3C | 5.2 | 43 | 15 | 89.7 | 90.7 | 89.5 | 62 | 74 | 80 | 575 | 19.52 | CD0006 | - |
| 7.5 | 5.6 | 1770 | 213T | EM7047T-I-5 | (4) | T3C | 7.6 | 58.5 | 22.2 | 91.9 | 92.3 | 91.7 | 61 | 74 | 81 | 575 | 20.32 | CD0006 | 35 |
| 10 | 7.5 | 1765 | 215T | EM7170T-I-5 | (4) | T3C | 9.8 | 78 | 29.7 | 93.6 | 92.9 | 92.4 | 62 | 75 | 80 | 575 | 20.03 | CD0006 | 35 |
| 15 | 11 | 1765 | 254T | EM7054T-I-5 | (4) | T3C | 14.8 | 99 | 44.5 | 91.3 | 92.5 | 92.4 | 67 | 78 | 82 | 575 | 25.5 | CD0006 | - |
| 20 | 15 | 1765 | 256T | EM7056T-I-5 | (4) | T3C | 19.2 | 140 | 59 | 92.8 | 93.1 | 93 | 69 | 80 | 84 | 575 | 25.5 | CD0006 | - |
| 25 | 18.7 | 1780 | 284T | EM7058T-I-5 | (4) | T3C | 24.5 | 158 | 73.9 | 90.6 | 92.5 | 93.6 | 70 | 79 | 82 | 575 | 28.61 | CD0006 | - |
| 30 | 22.4 | 1770 | 286T | EM7060T-I-5 | (4) | T3C | 29 | 177 | 89.2 | 93.9 | 94.4 | 93.6 | 69 | 77 | 83 | 575 | 28.61 | CD0006 | - |
| 40 | 29 | 1775 | 324T | EM7062T-I-5 | (4) | T3C | 39 | 267 | 118 | 93.6 | 94.3 | 94.1 | 67 | 77 | 82 | 575 | 32 | CD0006 | - |
| 50 | 37 | 1775 | 326T | EM7064T-I-5 | (4) | T3C | 45.6 | 318 | 149 | 94.4 | 94.9 | 94.5 | 81 | 80 | 87 | 575 | 32 | CD0006 | - |
| 60 | 44 | 1780 | 364T | EM7066T-I-5 | (4) | T3C | 54.2 | 346 | 177 | 95.4 | 95.5 | 95 | 76.6 | 84.2 | 87 | 575 | 33.44 | 416820-036 | - |
| 75 | 56 | 1780 | 365T | EM7068T-I-5 | (4) | T3C | 67.2 | 408 | 221 | 96.1 | 95.9 | 95.4 | 78.2 | 85.1 | 87.5 | 575 | 33.44 | 416820-036 | - |
| 100 | 75 | 1780 | 405T | EM7090T-I-5 | (4) | T3C | 89.6 | 566 | 295 | 95.5 | 95.7 | 95.4 | 77.9 | 84.9 | 87.5 | 575 | 38.31 | 416820-036 | - |

Drill Rig Duty, Single Phase, C-Face, Foot Mounted

| Hp | kW | RPM | NEMA Frame | Catalog Number | XP Cls & Grp | XP Temp Code | Amps @ High V | | Full Load Torque Lb. Ft. | Efficiency % | | | Power Factor % | | | Voltage | "C" Dim. | Conn. Diag. Number | Notes |
|------|------|------|------------|----------------|--------------|--------------|---------------|--------------|--------------------------|--------------|------|-----------|----------------|--------|--------------|-------------|----------|--------------------|-------|
| | | | | | | | Full Load | Locked Rotor | | 1/2 | 3/4 | Full Load | 1/2 PF | 3/4 PF | Full Load PF | | | | |
| 0.33 | 0.25 | 1725 | 56C | CL5001-I | (4) | T3C | 6.6/2.9-3.3 | 15.5 | 1 | 39.9 | 48.7 | 55 | 43 | 52 | 58 | 115/208-230 | 14.31 | CD0001 | - |
| 0.5 | 0.37 | 1725 | 56C | CL5004-I | (4) | T3C | 8/3.8-4 | 24 | 1.5 | 52 | 60 | 64 | 45 | 54 | 63 | 115/208-230 | 14.31 | CD0001 | - |
| 0.75 | 0.56 | 1725 | 56C | CL5007-I | (4) | T3C | 10.6/5.3 | 71.5 | 2.24 | 59.8 | 67.1 | 68 | 47 | 57 | 70 | 115/208-230 | 15.17 | CD0001 | - |
| 1 | 0.75 | 1725 | 56C | CL5023-I | (4) | T3C | 12/6.0 | 38.6 | 3.11 | 62.3 | 66.5 | 68 | 66 | 80 | 77 | 115/230 | 16.05 | CD0001 | - |

Drill Rig Duty, Three Phase, C-Face, Foot Mounted

| Hp | kW | RPM | NEMA Frame | Catalog Number | XP Cls & Grp | XP Temp Code | Amps @ High V | | Full Load Torque Lb. Ft. | Efficiency % | | | Power Factor % | | | Voltage | "C" Dim. | Conn. Diag. Number | Notes |
|------|------|------|------------|----------------|--------------|--------------|---------------|--------------|--------------------------|--------------|------|-----------|----------------|--------|--------------|---------|----------|--------------------|--------|
| | | | | | | | Full Load | Locked Rotor | | 1/2 | 3/4 | Full Load | 1/2 PF | 3/4 PF | Full Load PF | | | | |
| 0.5 | 0.37 | 1740 | 56C | CM7006-I | (4) | T3C | 1.6/8 | 6.34 | 1.49 | 73.8 | 78.4 | 80 | 45 | 59 | 63 | 230/460 | 13.14 | CD0005 | 19 |
| 0.75 | 0.56 | 1750 | 56C | CM7010-I | (4) | T3C | 2.8/1.4 | 9.47 | 1.81 | 65.8 | 71.9 | 78.5 | 40 | 51 | 66 | 230/460 | 14.28 | CD0005 | 19 |
| 1 | 0.75 | 1750 | 56C | CM7014-I | (4) | T3C | 3.2/1.6 | 13.2 | 2.99 | 78 | 81.4 | 82.5 | 50 | 63 | 73 | 230/460 | 14.28 | CD0005 | 19 |
| 1.5 | 1.12 | 1760 | 145TC | CEM7034T-I | (4) | T3C | 4.4/2.2 | 18.3 | 4.47 | 84.5 | 86.9 | 86.5 | 51 | 65 | 73 | 230/460 | 15.23 | CD0005 | 19 |
| 2 | 1.5 | 1755 | 145TC | CEM7037T-I | (4) | T3C | 5.8/2.9 | 22.9 | 5.37 | 82.9 | 85.5 | 86.5 | 49 | 62 | 73 | 230/460 | 16.1 | CD0005 | 19 |
| 3 | 2.2 | 1760 | 182TC | CEM7042T-I | (4) | T3C | 8.4/4.2 | 30.8 | 7.1 | 86 | 88.5 | 89.5 | 49 | 62 | 75 | 230/460 | 19.59 | CD0005 | 19 |
| 5 | 4 | 1750 | 184TC | CEM7044T-I | (4) | T3C | 13/6.5 | 53.7 | 15 | 89.7 | 90.7 | 89.5 | 62 | 74 | 80 | 230/460 | 20.84 | CD0005 | 19 |
| 7.5 | 5.6 | 1770 | 213TC | CEM7047T-I | (4) | T3C | 18.8/9.4 | 69.3 | 17.8 | 90.8 | 91.9 | 91.7 | 56 | 70 | 81 | 230/460 | 21.07 | CD0005 | 19, 35 |
| 10 | 7.5 | 1765 | 215TC | CEM7170T-I | (4) | T3C | 24.6/12.3 | 92.9 | 26.8 | 93.4 | 92.3 | 92.4 | 61 | 74 | 81 | 230/460 | 20.78 | CD0005 | 19, 35 |
| 15 | 11 | 1765 | 254TC | CEM7054T-I | (4) | T3C | 36/18 | 125 | 45 | 92.1 | 93 | 92.4 | 71 | 81 | 84 | 230/460 | 26 | CD0005 | 19 |
| 20 | 15 | 1765 | 256TC | CEM7056T-I | (4) | T3C | 48/24 | 171 | 60 | 92.9 | 93.5 | 93 | 74 | 83 | 84 | 230/460 | 26 | CD0180 | 19 |
| 25 | 18.7 | 1780 | 284TC | CEM7058T-I | (4) | T3C | 61/30.5 | 188 | 74 | 93.4 | 93.9 | 93.6 | 69 | 78 | 82 | 230/460 | 28.61 | CD0005 | 19 |
| 30 | 22.4 | 1770 | 286TC | CEM7060T-I | (4) | T3C | 72/36 | 235 | 89.1 | 93.7 | 94.3 | 93.6 | 66 | 75 | 83 | 230/460 | 28.61 | CD0005 | 19 |
| 40 | 29 | 1775 | 324TC | CEM7062T-I | (4) | T3C | 96/48 | 338 | 118 | 93.5 | 94.2 | 94.1 | 69 | 78 | 82 | 230/460 | 32 | CD0180 | 19 |
| 50 | 37 | 1775 | 326TC | CEM7064T-I | (4) | T3C | 114/57 | 384 | 143 | 94.5 | 94.4 | 94.5 | 73 | 82 | 87 | 230/460 | 32 | CD0180 | 19 |

Cast Iron Frame

(4) Class I, Group C & D

19 60/50 Hertz motor: 60 Hertz data shown, contact your local Baldor•Reliance office for 50 Hertz data.

35 Design A, Exceeds Design B in rush limits

CAUTION: These Explosion-proof motors are not suitable for use with adjustable speed drives. Inverter Duty Explosion-proof motors must be used, see page 27.

Drill Rig Duty, Three Phase, C-Face, Footless

| Hp | kW | RPM | NEMA Frame | Catalog Number | XP Cls & Grp | XP Temp Code | Amps @ High V | | Full Load Torque Lb. Ft. | Efficiency % | | | Power Factor % | | | Voltage | "C" Dim. | Conn. Diag. Number | Notes |
|------|------|------|------------|----------------|--------------|--------------|---------------|--------------|--------------------------|--------------|-------|-----------|----------------|--------|--------------|---------|----------|--------------------|-------|
| | | | | | | | Full Load | Locked Rotor | | 1/2 | 3/4 | Full Load | 1/2 PF | 3/4 PF | Full Load PF | | | | |
| 0.5 | 0.37 | 1740 | 56C | VM7006-I | ④ | T3C | 1.6/8 | 6.34 | 1.49 | 73.8 | 78.4 | 80 | 45 | 59 | 69 | 230/460 | 13.14 | CD0005 | 19 |
| 0.75 | 0.56 | 1750 | 56C | VM7010-I | ④ | T3C | 2.8/1.4 | 10.5 | 2.26 | 71 | 76.2 | 78.5 | 44 | 56 | 66 | 230/460 | 14.31 | CD0005 | 19 |
| 1 | 0.75 | 1750 | 56C | VM7014-I | ④ | T3C | 3.2/1.6 | 13.2 | 2.99 | 78 | 81.4 | 82.5 | 50 | 63 | 73 | 230/460 | 14.31 | CD0005 | 19 |
| | 0.75 | 1750 | 143TC | VM7014T-I | ④ | T3C | 3.2/1.6 | 13.2 | 2.99 | 78 | 81.34 | 82.5 | 50 | 63 | 73 | 230/460 | 14.36 | CD0005 | 19 |
| 1.5 | 1.12 | 1755 | 56C | VM7034-I | ④ | T3C | 4.8/2.4 | 19 | 4.43 | 79.4 | 83 | 84 | 48 | 62 | 70 | 230/460 | 15.17 | CD0005 | 19 |
| | 1.12 | 1755 | 145TC | VM7034T-I | ④ | T3C | 4.8/2.4 | 19 | 4.43 | 79.4 | 83 | 84 | 48 | 62 | 70 | 230/460 | 15.23 | CD0005 | 19 |
| 2 | 1.5 | 1750 | 145TC | VM7037T-I | ④ | T3C | 6.2/3.1 | 23.8 | 5.96 | 81 | 83.6 | 84 | 50 | 63 | 72 | 230/460 | 15.23 | CD0005 | 19 |
| 3 | 2.2 | 1750 | 182TC | VM7042T-I | ④ | T3C | 8.2/4.1 | 34.6 | 9.01 | 86.4 | 88.1 | 87.5 | 58 | 70 | 78 | 230/460 | 19.91 | CD0005 | 19 |
| 5 | 4 | 1750 | 184TC | VM7044T-I | ④ | T3C | 13.4/6.7 | 49.1 | 10.8 | 85.2 | 87.2 | 87.5 | 54 | 67 | 80 | 230/460 | 19.91 | CD0005 | 19 |
| 7.5 | 5.6 | 1760 | 213TC | VM7047T-I | ④ | T3C | 20.4/10.2 | 67 | 18 | 85.4 | 87.7 | 89.5 | 53 | 66 | 76 | 230/460 | 21.06 | CD0005 | 19 |
| 10 | 7.5 | 1760 | 215TC | VM7170T-I | ④ | T3C | 28.4/14.2 | 97 | 26.7 | 86.8 | 89.1 | 89.5 | 52 | 64 | 73 | 230/460 | 20.77 | CD0005 | 19 |

50 Hz, Explosion Proof, C-Face Motors,

Baldor motors for use on 50 hertz input power. Ideal for use on pumps, blowers and valves that require a NEMA C-face mounting configuration. Installed where hazardous fumes or dust may be present. Positively locked drive end bearing. 1.0 service factor. Available from stock in Single and Three phase, 1/3 Hp through 2 Hp, 56C through 145TC frames. UL and CSA approved for Division 1, Class I, Group D; Class I, Group D, Class II, Group F & G.



Single Phase, IP54

| Hp | kW | RPM | NEMA Frame | Catalog Number | XP Cls & Grp | XP Temp Code | Amps @ High V | | Full Load Torque Lb. Ft. | Efficiency % | | | Power Factor % | | | Voltage | "C" Dim. | Conn. Diag. Number | Notes |
|------|------|------|------------|----------------|--------------|--------------|---------------|--------------|--------------------------|--------------|------|-----------|----------------|--------|--------------|---------|----------|--------------------|-------|
| | | | | | | | Full Load | Locked Rotor | | 1/2 | 3/4 | Full Load | 1/2 PF | 3/4 PF | Full Load PF | | | | |
| 0.33 | 0.25 | 1500 | 56C | CL5001A-50 | ② | T3C | 2.6 | 13 | 1.2 | 50.6 | 58.3 | 59.5 | 46 | 56 | 68 | 110/220 | 14.22 | CD0565 | - |
| 0.5 | 0.37 | 1500 | 56C | CL5004A-50 | ② | T3C | 3.6 | 17 | 1.8 | 62.2 | 67.5 | 62 | 57 | 69 | 76 | 110/220 | 15.22 | CD0565 | - |
| 0.75 | 0.56 | 1500 | 56C | CL5007A-50 | ② | T4 | 4.8 | 23 | 2.7 | 66.6 | 71.4 | 70 | 56 | 68 | 76 | 110/220 | 15.17 | CD0008 | - |
| 1 | 0.75 | 1500 | 56C | CL5023-50 | ① | T3C | 6.2 | 68 | 3.6 | 67 | 69 | 68 | 63 | 75 | 82 | 110/220 | 16.05 | CD0001 | - |
| 2 | 1.5 | 1500 | 182TC | CL5027T-50 | ① | T2C | 11.5 | 74 | 7.4 | 76 | 78 | 77 | 56 | 68 | 78 | 110/220 | 20.36 | CD0001 | - |

Three Phase, IP54

| Hp | kW | RPM | NEMA Frame | Catalog Number | XP Cls & Grp | XP Temp Code | Amps @ High V | | Full Load Torque Lb. Ft. | Efficiency % | | | Power Factor % | | | Voltage | "C" Dim. | Conn. Diag. Number | Notes |
|------|------|------|------------|----------------|--------------|--------------|---------------|--------------|--------------------------|--------------|------|-----------|----------------|--------|--------------|---------|----------|--------------------|-------|
| | | | | | | | Full Load | Locked Rotor | | 1/2 | 3/4 | Full Load | 1/2 PF | 3/4 PF | Full Load PF | | | | |
| 0.5 | 0.37 | 1500 | 56C | CM7006-57 | ⑧ | 1 | 6.31 | 1.8 | 66.3 | 71.8 | 73 | 50 | 62 | 67 | 230/400 | 14.22 | CD0022 | - | |
| 0.75 | 0.55 | 1500 | 56C | CM7010-57 | ⑧ | 1.7 | 12.34 | 2.74 | 68.1 | 73.5 | 75.5 | 41 | 52 | 61 | 230/400 | 15.22 | CD0022 | - | |
| 1 | 0.75 | 3000 | 56C | CM7013-57 | ⑧ | 1.7 | 11.8 | 1.8 | 74.8 | 79.3 | 78.5 | 62 | 73 | 78 | 230/400 | 14.22 | CD0022 | - | |
| 1 | 0.75 | 1500 | 56C | CM7014-57 | ⑧ | 2 | 12.1 | 3.7 | 75.4 | 76.6 | 74 | 53 | 63 | 76 | 230/400 | 15.22 | CD0022 | - | |
| 1.5 | 1.1 | 3000 | 143TC | CM7018T-57 | ⑧ | 2.4 | 18.2 | 2.73 | 78 | 80.7 | 80 | 70 | 82 | 88 | 230/400 | 14.36 | CD0022 | - | |
| 1.5 | 1.1 | 1500 | 143TC | CM7034T-57 | ⑧ | 2.5 | 18.1 | 5.46 | 79.9 | 82.2 | 81.5 | 56 | 70 | 79 | 230/400 | 15.23 | CD0022 | - | |
| 2 | 1.5 | 3000 | 145TC | CM7071T-57 | ⑧ | 3.2 | 22.6 | 3.7 | 76.6 | 80 | 78.5 | 73 | 83 | 91 | 230/400 | 15.23 | CD0022 | - | |
| 2 | 1.5 | 1500 | 145TC | CM7037T-57 | ⑧ | 3.4 | 20 | 7.27 | 80.3 | 83 | 83 | 54 | 67 | 76 | 230/400 | 16.1 | CD0022 | - | |

Cast Iron Frame

- ① Class I, Group D
- ② Class I, Group D, Class II, Group F & G
- ④ Class I, Group C & D

19 60/50 Hertz motor. 60 Hertz data shown, contact your local Baldor•Reliance office for 50 Hertz data.

CAUTION: These Explosion-proof motors are not suitable for use with adjustable speed drives. Inverter Duty Explosion-proof motors must be used, see page 27.

Brake Motors, Explosion Proof, Three Phase, C-Face with Rigid Base

In hazardous location applications requiring quick stops and holds, Baldor offers explosion proof brake motors from stock in 3/4 hp through 3 hp, NEMA frames 56C through 215TC. These 3-phase motors are C-face mounted, and feature a spring-set brake. In the event of a power outage, a manual release allows continued operation, and then resets automatically when power is restored. Explosion-proof brakes require external connections. UL and CSA approved for Division 1, Class I, Group D; Class I, Group D, Class II, Group F & G.



All brake motors with brakes that have 20 lb-ft. static torque ratings or smaller can be mounted horizontally or vertically. For larger ratings consult a Baldor District Office.

| Hp | kW | RPM | NEMA Frame | Enclosure | Catalog Number | XP Cls & Grp | XP Temp Code | Amps @ High V | | Full Load Torque Lb. Ft. | Efficiency % | | | Power Factor % | | | Voltage | "C" Dim. | Conn. Diag. Number | Brake Rating | Notes |
|------|------|------|------------|-----------|----------------|--------------|--------------|---------------|--------------|--------------------------|--------------|------|-----------|----------------|--------|--------------|-------------|----------|--------------------|--------------|-----------|
| | | | | | | | | Full Load | Locked Rotor | | 1/2 | 3/4 | Full Load | 1/2 PF | 3/4 PF | Full Load PF | | | | | |
| 0.5 | 0.37 | 1800 | 56C | XPNV | CBM7006 | ② | T3C | 0.8 | 6.34 | 1.49 | 73.8 | 78.4 | 75.5 | 45 | 59 | 69 | 208-230/460 | 19.44 | CD0005 | 3 | - |
| 0.75 | 0.56 | 1800 | 56C | XPNV | CBM7010 | ① | T2C | 1.4 | 10.5 | 2.26 | 71.7 | 76.6 | 78.5 | 44 | 56 | 66 | 208-230/460 | 19.13 | CD0005 | 6 | 2, 60 |
| 1 | 0.75 | 1800 | 143TC | XPNV | CBM7014T | ② | T3C | 1.5 | 12.2 | 2.99 | 81.6 | 84.2 | 80 | 56 | 70 | 79 | 208-230/460 | 20.37 | CD0005 | 6 | 2, 60 |
| 2 | 1.5 | 1800 | 182TC | XPNV | CBM7023T | ① | T2C | 2.9 | 26 | 6 | 80.8 | 83.7 | 84 | 57 | 69 | 76 | 230/460 | 23.24 | CD0005 | 10 | 2, 60 |
| 3 | 2.2 | 1800 | 182TC | XPFC | CEBM7142T | ② | T3C | 4.1 | 32 | 8.9 | 87 | 89.1 | 89.5 | 53.7 | 65.7 | 73 | 230/460 | 27.22 | 416820-1 | 15 | - |
| 3 | 2.2 | 1800 | 215TC | XPNV | CBM7027T | ① | T2C | 4.3 | 33 | 9 | 81.3 | 84.2 | 84 | 56 | 69 | 77 | 230/460 | 27.31 | CD0005 | 15 | 2, 40, 60 |
| 5 | 4 | 1800 | 184TC | XPFC | CEBM7144T | ② | T3C | 6.5 | 46 | 14.9 | 88 | 89.5 | 89.5 | 54.5 | 66.5 | 73.7 | 230/460 | 27.22 | 416820-1 | 25 | - |

Jet Pump Explosion-Proof Motors

In applications where a threaded shaft jet pump motor is used in hazardous locations, Baldor offers explosion-proof motors available from stock in single and three phase, 1/2 hp through 2 hp, in NEMA frame 56J. They are UL and CSA approved for Class I – Group D and Class II – Group F and G.



Performance Data, Single Phase

| Hp | kW | RPM | NEMA Frame | Catalog Number | XP Cls & Grp | XP Temp Code | Amps @ High V | | Full Load Torque Lb. Ft. | Efficiency % | | | Power Factor % | | | Voltage | "C" Dim. | Conn. Diag. No. | Notes |
|------|------|------|------------|----------------|--------------|--------------|---------------|--------------|--------------------------|--------------|------|-----------|----------------|-----|-----------|-------------|----------|-----------------|-------|
| | | | | | | | Full Load | Locked Rotor | | 1/2 | 3/4 | Full Load | 1/2 | 3/4 | Full Load | | | | |
| 0.50 | 0.37 | 3450 | 56J | JL5003A | ② | T4 | 3.9 | 23.0 | 0.75 | 41.2 | 49.7 | 55.0 | 51 | 59 | 69 | 115/230 | 14.79 | CD0008 | - |
| 0.75 | 0.56 | 3450 | 56J | JL5006A | ② | T4 | 4.9 | 28.3 | 1.2 | 50.0 | 58.0 | 62.0 | 60 | 70 | 75 | 115/230 | 14.79 | CD0008 | - |
| 1 | 0.75 | 3450 | 56J | JL5009A | ② | T4 | 6.0 | 35.0 | 1.5 | 65.0 | 67.0 | 66.0 | 64 | 75 | 81 | 115/230 | 15.68 | CD0008 | 30 |
| 1.5 | 1.12 | 3450 | 56J | JL5030 | ② | T4 | 7.5 | 42.0 | 2.3 | 65.3 | 68.4 | 70.0 | 64 | 73 | 82 | 115/208-230 | 15.68 | CD0001 | - |
| 2 | 1.5 | 3450 | 56J | JL5031 | ② | T4 | 11.5 | 78.0 | 3.0 | 64.2 | 70.5 | 74.0 | 65 | 75 | 82 | 115/208-230 | 16.56 | CD0001 | - |

Performance Data, Three Phase

| Hp | kW | RPM | NEMA Frame | Catalog Number | XP Cls & Grp | XP Temp Code | Amps @ High V | | Full Load Torque Lb. Ft. | Efficiency % | | | Power Factor % | | | Voltage | "C" Dim. | Conn. Diag. No. | Notes |
|-----|------|------|------------|----------------|--------------|--------------|---------------|--------------|--------------------------|--------------|------|-----------|----------------|-----|-----------|-------------|----------|-----------------|-------|
| | | | | | | | Full Load | Locked Rotor | | 1/2 | 3/4 | Full Load | 1/2 | 3/4 | Full Load | | | | |
| 1 | 0.75 | 3450 | 56J | JM7013 | ② | T4 | 1.8 | 11.0 | 1.5 | 72.1 | 76.8 | 75.5 | 53 | 68 | 71 | 230/460 | 13.72 | CD0005 | - |
| 1.5 | 1.12 | 3450 | 56J | JM7018 | ② | T4 | 2.3 | 16.0 | 2.3 | 66.7 | 72.7 | 75.5 | 59 | 71 | 76 | 208-230/460 | 14.79 | CD0005 | - |
| 2 | 1.5 | 3450 | 56J | JM7071 | ② | T4 | 2.7 | 17.5 | 3.0 | 78.2 | 80.3 | 78.5 | 80 | 87 | 93 | 208-230/460 | 15.67 | CD0005 | - |

Cast Iron Frame

- ① Class I, Group D
- ② Class I, Group D, Class II, Group F & G
- ④ Class I, Group C & D

2 1.00 Service Factor

40 Brake motors may be mounted vertically with brake below motor.

60 Totally Enclosed Non-Ventilated, Continuous Duty.

CAUTION: These Explosion-proof motors are not suitable for use with adjustable speed drives. Inverter Duty Explosion-proof motors must be used, see page 27.

Close-Coupled Pump, Explosion-Proof Motors

Where close-coupled pump shaft configurations are required in hazardous locations, Baldor offers explosion-proof motors available from stock in three phase, 3 hp through 10 hp, in NEMA frames 145JM through 215JM. They are UL and CSA approved for Division 1, Class I, Group D, Class II, Group F & G, and are rated at a 1.0 Service Factor.



Three Phase

| Hp | kW | RPM | Frame | Catalog Number | XP Cls & Grp | XP Temp Code | Amps @ High V | | Full Load Torque Lb. Ft. | Efficiency % | | | Power Factor % | | | Voltage | "C" Dim. | Conn. Diag. No. |
|-----|-----|------|-------|----------------|--------------|--------------|---------------|--------------|--------------------------|--------------|------|-----------|----------------|-----|-----------|-------------|----------|-----------------|
| | | | | | | | Full Load | Locked Rotor | | 1/2 | 3/4 | Full Load | 1/2 | 3/4 | Full Load | | | |
| 3 | 2.2 | 3450 | 145JM | JMM7075T | ① | T2C | 3.8 | 32.9 | 4.6 | 83.0 | 84.3 | 82.5 | 74 | 83 | 89.0 | 208-230/460 | 17.80 | CD0005 |
| 3 | 2.2 | 3450 | 182JM | JMM7026T | ① | T2C | 3.9 | 35.0 | 4.5 | 78.1 | 81.5 | 81.5 | 77 | 85 | 89.0 | 208-230/460 | 19.00 | CD0005 |
| 5 | 4 | 3450 | 184JM | JMM7072T | ① | T2C | 6.0 | 47.0 | 7.5 | 85.8 | 86.5 | 85.5 | 88 | 93 | 93.0 | 230/460 | 20.38 | CD0005 |
| 7.5 | 5.6 | 3450 | 184JM | JMM7073T | ① | T2C | 8.6 | 76.0 | 11.3 | 87.8 | 88.1 | 87.5 | 84 | 90 | 94.0 | 230/460 | 21.88 | CD0005 |
| 7.5 | 5.6 | 3450 | 213JM | JMM7045T | ① | T2C | 9.3 | 88.7 | 11.4 | 82.6 | 85.4 | 84.0 | 84 | 89 | 88.0 | 230/460 | 20.05 | CD0005 |
| 10 | 7.5 | 3450 | 215JM | JMM7074T | ① | T2C | 12.0 | 100 | 15.0 | 83.4 | 85.9 | 86.5 | 85 | 91 | 91.0 | 230/460 | 21.19 | CD0005 |

① Class I, Group D

Close-Coupled Pump, Drill Rig Duty, Explosion-Proof Motors

Baldor motors designed for on and off shore drill rig service, bulk fuel terminals, and transfer stations where close-coupled pump shaft configurations are required. For use in high humidity hazardous-duty applications driving pumps, compressors, blowers and fans. These motors feature Labyrinth-type recessed shaft slinger for increased bearing protection. Explosion-proof breather/drain to prevent build up of condensation. Class F insulation. Corrosion resistant finish with two part epoxy coating. Rated for 55° C ambient and 1.15 service factor (EJPM71170T-I has 1.0 S.F.). UL and CSA approved for Division 1, Class I, Group C & D. Available from stock 3 hp to 10 hp with 182JP to 184JP mounting.



Three Phase, JP Mount with Rigid Base

| Hp | kW | Actual RPM | NEMA Frame | Catalog Number | XP Cls & Grp | XP Temp Code | Amps @ High V | | Full Load Torque Lb.Ft. | Efficiency % | | | Power Factor % | | | Voltage | "C" Dim. | Conn. Diag. # | Notes |
|-----|-----|------------|------------|----------------|--------------|--------------|---------------|--------------|-------------------------|--------------|------|-----------|----------------|--------|--------------|---------|----------|---------------|-----------|
| | | | | | | | Full Load | Locked Rotor | | 1/2 | 3/4 | Full Load | 1/2 pf | 3/4 pf | Full Load pf | | | | |
| 3 | 2.2 | 1755 | 182JP | EJPM7142T-I | 4 | T3C | 4.1 | 28.7 | 7.24 | 86.9 | 88.7 | 89.5 | 52 | 65 | 77 | 230/460 | 22.09 | CD0005 | 1, 19, 30 |
| 5 | 4 | 1750 | 184JP | EJPM7144T-I | 4 | T3C | 6 | 43.9 | 10.8 | 87.7 | 88.7 | 89.5 | 52 | 65 | 79 | 230/460 | 22.09 | CD0005 | 1, 19, 30 |
| 7.5 | 5.6 | 1770 | 213TCZ | EJPM71147T-I | 4 | T3C | 9.5 | 65.8 | 17.8 | 90.1 | 91.3 | 91.7 | 58 | 71 | 81 | 230/460 | 25.65 | CD0005 | 1, 19, 97 |
| 10 | 7.5 | 1765 | 215TCZ | EJPM71170T-I | 4 | T3C | 12.3 | 95.7 | 29.7 | 93.6 | 92.6 | 92.4 | 64 | 76 | 81 | 230/460 | 25.65 | CD0005 | 19, 97 |

Cast Iron Frame

① Class I, Group D

④ Class I, Group C & D

1 Class F insulated motor with 1.15 Service Factor or higher that operates within Class "B" temperature limits at rated horsepower

19 60/50 Hertz motor. 60 Hertz data shown, contact your local Baldor•Reliance office for 50 Hertz data

30 Usable at 208 volts

97 One size smaller flange and shaft

CAUTION: These Explosion-proof motors are not suitable for use with adjustable speed drives. Inverter Duty Explosion-proof motors must be used, see page 27.

Submersible Explosion-Proof Motors

Baldor Submersible motors are designed for wet pit applications that require Continuous Duty in water/ sewage and 15 Minute Duty in air. Single phase designs are suitable for use on Sine wave power only. Three Phase designs are suitable for 10:1 Variable torque for Division 1, Class I, Group D, T2A temperature code.



Single Phase

| Hp | kW | RPM | NEMA Frame | Catalog Number | XP Cls & Grp | XP Temp Code | Amps @ High V | | Full Load Torque Lb. Ft. | Efficiency % | | | Power Factor % | | | Motor Voltage | Connected Voltage | Dim Sheet | Conn. Diag. Number | Notes |
|-----|------|------|------------|----------------|--------------|--------------|---------------|--------------|--------------------------|--------------|------|-----------|----------------|--------|--------------|---------------|-------------------|-----------|--------------------|-------|
| | | | | | | | Full Load | Locked Rotor | | 1/2 | 3/4 | Full Load | 1/2 PF | 3/4 PF | Full Load PF | | | | | |
| 1 | 0.75 | 1730 | 180TY | C18G2730 | (4) | T3C | 8.1 | 40 | 3.04 | 42.7 | 50.6 | 55 | 60.8 | 67.9 | 72.9 | 115/230 | 230 | 66930-20 | 416820-102 | 97 |
| 1 | 0.75 | 1150 | 180TY | C18G2700 | (4) | T3C | 8.6 | 36.5 | 4.57 | 45.4 | 52.1 | 55.6 | 55.2 | 62.2 | 68.1 | 115/230 | 230 | 66930-20 | 416820-102 | 97 |
| 1.5 | 1.12 | 1735 | 180TY | C18G2731 | (4) | T3C | 10.6 | 100 | 4.54 | 51.3 | 58.7 | 62.5 | 60.2 | 68.2 | 73.6 | 115/230 | 230 | 66930-20 | 416820-102 | 97 |
| 1.5 | 1.12 | 1150 | 180TY | C18G2701 | (4) | T3C | 12.5 | 51.2 | 6.82 | 48.1 | 54.9 | 57 | 54.9 | 62.2 | 68.1 | 115/230 | 230 | 66930-20 | 416820-102 | 97 |
| 2 | 1.5 | 1720 | 180TY | C18G2702 | (4) | T3C | 14 | 69 | 6.11 | 50 | 57.2 | 60.9 | 65.6 | 71.1 | 73.9 | 115/230 | 230 | 66930-20 | 416820-102 | 97 |
| 3 | 2.2 | 1725 | 180TY | C18G2703 | (4) | T3C | 20 | 97 | 9.13 | 58.6 | 63.6 | 64.7 | 59.5 | 69.1 | 75.4 | 115/230 | 230 | 66930-17 | 416820-102 | - |
| 3 | 2.2 | 1725 | 180TY | C18G2704 | (4) | T3C | 20 | 97 | 9.13 | 58.6 | 63.6 | 64.7 | 59.5 | 69.1 | 75.4 | 115/230 | 230 | 66930-20 | 416820-102 | 97 |
| 3 | 2.2 | 1160 | 210TY | C21G2701 | (4) | T3C | 21 | 86 | 13.6 | 56.7 | 62.9 | 65.6 | 54.1 | 63.7 | 69.1 | 115/230 | 230 | 66930-20 | 416820-102 | 97 |
| 5 | 4 | 1730 | 210TY | C21G2702 | (4) | T3C | 30 | 146 | 15.2 | 63.9 | 67.5 | 69 | 66.9 | 76.1 | 80.4 | 230 | 230 | 66930-18 | 416820-101 | - |

Submersible Explosion-Proof, Three Phase Motors

| Hp | kW | RPM | NEMA Frame | Catalog Number | XP Cls & Grp | XP Temp Code | Amps @ High V | | Full Load Torque Lb. Ft. | Efficiency % | | | Power Factor % | | | Motor Voltage | Connected Voltage | Dim Sheet | Conn. Diag. Number | Notes |
|-----|------|------|------------|----------------|--------------|--------------|---------------|--------------|--------------------------|--------------|------|-----------|----------------|--------|--------------|---------------|-------------------|-----------|--------------------|-------|
| | | | | | | | Full Load | Locked Rotor | | 1/2 | 3/4 | Full Load | 1/2 PF | 3/4 PF | Full Load PF | | | | | |
| 1 | 0.75 | 1745 | 180TY | P18G2784 | (4) | T3C | 1.7 | 13.7 | 3.01 | 50 | 58.5 | 63.5 | 77.5 | 83 | 86.4 | 230 / 460 | 230 | 66930-20 | 416820-1 | 97 |
| 1.5 | 1.12 | 1735 | 180TY | P18G2787 | (4) | T3C | 2.3 | 18.3 | 4.45 | 59.3 | 66.7 | 70.5 | 77.5 | 83.1 | 86.2 | 230 / 460 | 230 | 66930-20 | 416820-1 | 97 |
| 2 | 1.5 | 1730 | 180TY | P18G2791 | (4) | T3C | 2.9 | 22 | 6.06 | 64.3 | 70.7 | 73.5 | 74.7 | 82.5 | 86.4 | 230 / 460 | 230 | 66930-20 | 416820-1 | 97 |
| 2 | 1.5 | 1730 | 180TY | P18G2792 | (4) | T3C | 3.3 | 25.3 | 6.06 | 64.3 | 70.7 | 73.5 | 74.7 | 82.5 | 86.4 | 200 / 400 | 200 | 66930-20 | 416820-1 | 97 |
| 3 | 2.2 | 1750 | 180TY | P18G2794 | (4) | T3C | 4.4 | 31.1 | 9.01 | 70.5 | 75.9 | 78.1 | 68.7 | 77.2 | 81.7 | 230 / 460 | 230 | 66930-20 | 416820-1 | 97 |
| 3 | 2.2 | 1160 | 180TY | P18G2707 | (4) | T3C | 5.2 | 26 | 13.6 | 72 | 76.6 | 78 | 54.4 | 63.8 | 69.3 | 230 / 460 | 230 | 66930-17 | 416820-1 | - |
| 5 | 4 | 1725 | 180TY | P18G2701 | (4) | T3C | 7 | 40 | 15.2 | 77 | 79.9 | 80.2 | 71.9 | 79.9 | 83.9 | 230 / 460 | 230 | 66930-17 | 416820-1 | - |
| 5 | 4 | 1725 | 180TY | P18G2702 | (4) | T3C | 7 | 40 | 15.2 | 77 | 79.9 | 80.2 | 71.9 | 79.9 | 83.9 | 230 / 460 | 460 | 66930-17 | 416820-1 | - |
| 5 | 4 | 1725 | 180TY | P18G2739 | (4) | T3C | 8.05 | 46 | 15.2 | 77 | 79.9 | 80.2 | 71.9 | 79.9 | 83.9 | 200 / 400 | 200 | 66930-17 | 416820-1 | - |
| 5 | 4 | 1150 | 180TY | P18G2709 | (4) | T3C | 8 | 38 | 22.8 | 77.9 | 80.7 | 80.9 | 55.4 | 66 | 72 | 230 / 460 | 230 | 66930-17 | 416820-1 | - |
| 5 | 4 | 870 | 210TY | P21G2747 | (4) | T3C | 8.3 | 40.5 | 30.2 | 79.1 | 82.1 | 82.6 | 48.2 | 59.9 | 67.9 | 460 | 460 | 66930-18 | 416820-24 | - |
| 7.5 | 5.6 | 1730 | 180TY | P18G2703 | (4) | T3C | 10.1 | 62.5 | 22.7 | 80.7 | 82.9 | 82.7 | 72.1 | 80.1 | 83.9 | 230 / 460 | 230 | 66930-17 | 416820-1 | - |
| 7.5 | 5.6 | 1730 | 180TY | P18G2704 | (4) | T3C | 10.1 | 62.5 | 22.7 | 80.7 | 82.9 | 82.7 | 72.1 | 80.1 | 83.9 | 230 / 460 | 460 | 66930-17 | 416820-1 | - |
| 7.5 | 5.6 | 1150 | 210TY | P21G2705 | (4) | T3C | 11.3 | 59 | 34.2 | 79.2 | 81.7 | 81.7 | 59.6 | 70.2 | 75.7 | 230 / 460 | 230 | 66930-18 | 416820-1 | - |
| 10 | 7.5 | 1755 | 210TY | P21G2701 | (4) | T3C | 13 | 76 | 29.9 | 83 | 85.3 | 85.6 | 72.8 | 80.6 | 84.1 | 230 / 460 | 230 | 66930-18 | 416820-1 | - |
| 10 | 7.5 | 1755 | 210TY | P21G2702 | (4) | T3C | 13 | 76 | 29.9 | 83 | 85.3 | 85.6 | 72.8 | 80.6 | 84.1 | 230 / 460 | 460 | 66930-18 | 416820-1 | - |
| 10 | 7.5 | 1145 | 210TY | P21G2707 | (4) | T3C | 14.4 | 79 | 45.8 | 83.8 | 84.8 | 83.8 | 63 | 73.1 | 77.7 | 230 / 460 | 230 | 66930-18 | 416820-1 | - |
| 15 | 11 | 1745 | 210TY | P21G2703 | (4) | T3C | 20.1 | 114 | 45.1 | 83.3 | 85.4 | 85.4 | 69.2 | 77.9 | 82 | 230 / 460 | 230 | 66930-18 | 416820-2 | - |
| 15 | 11 | 1745 | 210TY | P21G2704 | (4) | T3C | 20.1 | 114 | 45.1 | 83.3 | 85.4 | 85.4 | 69.2 | 77.9 | 82 | 230 / 460 | 460 | 66930-18 | 416820-2 | - |
| 15 | 11 | 1160 | 250TY | P25G2707 | (4) | T3C | 20.3 | 110 | 67.8 | 86 | 87.2 | 86.5 | 68 | 76.7 | 80 | 230 / 460 | 460 | 66930-18 | 416820-1 | - |
| 20 | 15 | 1740 | 210TY | P21G2737 | (4) | T3C | 26.2 | 141 | 60.4 | 86.1 | 87.2 | 86.6 | 69.7 | 78.6 | 82.7 | 230 / 460 | 460 | 66930-20 | 416820-2 | 97 |
| 20 | 15 | 1740 | 210TY | P21G2758 | (4) | T3C | 26.2 | 141 | 60.4 | 86.1 | 87.2 | 86.6 | 69.7 | 78.6 | 82.7 | 230 / 460 | 460 | 66930-18 | 416820-2 | - |
| 20 | 15 | 1160 | 250TY | P25G2710 | (4) | T3C | 27.4 | 144 | 90.5 | 86.7 | 87.6 | 86.7 | 66.6 | 75.4 | 78.8 | 230 / 460 | 460 | 66930-18 | 416820-2 | - |
| 25 | 18.7 | 1760 | 250TY | P25G2702 | (4) | T3C | 32.1 | 175 | 74.6 | 87.2 | 88.7 | 88.5 | 71.3 | 79.3 | 82.5 | 230 / 460 | 460 | 66930-18 | 416820-1 | - |
| 25 | 18.7 | 1760 | 250TY | P25G2747 | (4) | T3C | 32.1 | 175 | 74.6 | 87.2 | 88.7 | 88.5 | 71.3 | 79.3 | 82.5 | 230 / 460 | 460 | 66930-28 | 416820-1 | 97 |
| 25 | 18.7 | 1160 | 250TY | P25G2712 | (4) | T3C | 35.2 | 182 | 113 | 86.3 | 87.4 | 86.7 | 59.9 | 71 | 76.6 | 230 / 460 | 460 | 66930-18 | 416820-2 | - |
| 30 | 22.4 | 1750 | 250TY | P25G2704 | (4) | T3C | 39.9 | 208 | 89.9 | 87.5 | 88.9 | 88.7 | 64.5 | 74.5 | 79.4 | 230 / 460 | 460 | 66930-18 | 416820-1 | - |
| 30 | 22.4 | 1175 | 320TY | P32G2700 | (4) | T3C | 40.7 | 213 | 134 | 88.2 | 89.7 | 89.7 | 60.7 | 71.3 | 76.8 | 460 | 460 | 66930-18 | 416820-25 | - |
| 40 | 29 | 1740 | 250TY | P25G2706 | (4) | T3C | 51.7 | 257 | 121 | 89.2 | 89.8 | 89 | 70.4 | 78.5 | 81.4 | 460 | 460 | 66930-18 | 416820-25 | - |
| 50 | 37 | 1770 | 320TY | P32G2701 | (4) | T3C | 64.3 | 362 | 148 | 89.3 | 90.9 | 91.1 | 67.9 | 76.2 | 79.8 | 460 | 460 | 66930-18 | 416820-25 | - |
| 50 | 37 | 1770 | 320TY | P32G2724 | (4) | T3C | 64.3 | 362 | 148 | 89.3 | 90.9 | 91.1 | 67.9 | 76.2 | 79.8 | 460 | 460 | 66930-28 | 416820-25 | - |
| 50 | 37 | 1175 | 320TY | P32G2702 | (4) | T3C | 65.9 | 348 | 224 | 90.1 | 90.9 | 90.5 | 62.5 | 73.2 | 78.5 | 460 | 460 | 66930-18 | 416820-25 | - |
| 60 | 44 | 1770 | 320TY | P32G2706 | (4) | T3C | 74.9 | 415 | 178 | 91.3 | 92.2 | 92 | 69.1 | 77.8 | 81.4 | 460 | 460 | 66930-18 | 416820-25 | - |
| 75 | 56 | 1765 | 320TY | P32G2703 | (4) | T3C | 91.3 | 514 | 223 | 92.3 | 92.9 | 92.6 | 72.8 | 80.2 | 83 | 460 | 460 | 66930-18 | 416820-25 | - |
| 75 | 56 | 1170 | 360TY | P36G2700 | (4) | T3C | 90.9 | 508 | 338 | 93.6 | 93.3 | 92.3 | 73.7 | 81.2 | 83.8 | 460 | 460 | 66930-60 | 416820-25 | - |
| 100 | 75 | 1770 | 360TY | P36G2701 | (4) | T3C | 116 | 703 | 296 | 90.4 | 91.6 | 91.6 | 76 | 83.4 | 86.2 | 460 | 460 | 66930-60 | 416820-25 | - |
| 100 | 75 | 1165 | 360TY | P36G2702 | (4) | T3C | 122 | 703 | 451 | 91.7 | 92 | 91.2 | 76 | 82.4 | 84.2 | 460 | 460 | 66930-60 | 416820-25 | - |

(4) Class I, Group C & D
97 One size smaller flange and shaft

Adjustable Speed AC Three Phase, Inverter Drive® Explosion-Proof Motors

These TEFC motors are designed for use with inverters in hazardous locations. Ratings are available for a 10:1 constant or variable torque speed rating. They may be used with a Baldor inverter or one manufactured by another company. The 1/2 hp through 2 hp motors meet Division 1, Class I – Group D and Class II – Group F and G, with Temperature rating T3C (160 degrees). The 3 hp through 75 hp motors meet Division 1, Class I – Group D only, with Temperature Code T2A (280 degrees). NEMA frames 56C through 405T. ISR® Inverter Spike Resistant wire is standard. All motors are rated at a 1.0 Service Factor, and have Class F insulation to meet NEMA MG 1-2011, Part 31. All ratings constant horsepower 60 to 90 Hz.



Mechanical Design Characteristics

| Specification | Description | Frames | | | |
|--------------------|---|--------|-------------|-------------|------|
| | | 56C | 143TC-215TC | 254TC-365TC | 405T |
| Bearing Retention | Locked bearings for universal mounting | • | • | • | • |
| Bearings | Premium grade, double shielded | • | • | | |
| | Premium grade, open with Lube Lock® | | | • | • |
| Conduit Box & Lid | U. L. approved cast iron explosion-proof | • | • | • | • |
| Drive End | C-Face for mounting flexibility on NEMA TC frames | • | • | | • |
| Endplates | Aluminum with steel bearing journal | • | thru 145TC | | |
| | Cast iron - rugged and durable | | from 182TC | • | • |
| Explosion-Proof | Class I, Group D, Class II, Group F & G. Temp. Rating 160°C | • | thru 145TC | | |
| Classifications | Class I, Group D only. Temperature Rating 280°C | | from 182TC | • | • |
| Frame | Steel band | • | thru 145TC | | |
| | Cast iron | | from 182TC | • | • |
| Foot Mounting | Rigid base, dual hole foot pattern for mounting flexibility | • | • | • | • |
| Ground Screw | Inside terminal box for convenience | • | • | • | • |
| Lifting Provisions | Eyebolt | | • | • | • |
| Lubricant | Exxon POLYREX®EM or equivalent | • | • | • | • |
| Nameplate | UL/CSA listed nameplate. Includes base volts and frequency, connection diagram | • | • | • | • |
| Rotor Construction | Special high pressure aluminum die cast with low loss electrical steel and special slot configuration | • | • | • | • |
| Shaft Material | C1035 steel | • | • | | |
| | C1137 steel | | | • | • |

Electrical Design Characteristics

| Specification | Description | Frames | | | |
|----------------|---------------------------------------|--------|-------------|-------------|------|
| | | 56C | 143TC-215TC | 254TC-365TC | 405T |
| Insulation | Class F Meets NEMA MG 1-2011, Part 31 | • | • | • | • |
| Magnet Wire | 200°C moisture resistant, | • | • | • | • |
| Service Factor | 1.00 | • | • | • | • |
| Voltage | 230 / 460V @ 60 Hertz | • | • | • | • |

AC Inverter Drive® Explosion-Proof Fan-Cooled Motors

UL and CSA approved for use in hazardous locations. 1/2 through 2 hp Class I, Group D, Class II, Group F & G. Temperature rating T3C (160°C). 3 hp and larger Division 1, Class I, Group D only. Temperature Code T2B (260°C). 1.0 service factor. Class F insulation. All ratings constant horsepower 60 to 90 Hz.

Performance Data 230/460 Volt Ratings

10:1 Variable Torque and 2:1 Constant Torque Ratings

| Hp | kW | Base Spd | Max. RPM | Max. Frame | NEMA Encl. | Catalog No. | XP Cls & Grp | XP Temp Code | 460 Volt Line Amps | | Output Torque Lb-Ft. | | | % Effic. Line | Wk ² Lb-Ft ² | Ap'x Wgt. Lbs. | "C" Dim. | Conn. Diag. No. |
|-----|------|----------|----------|------------|------------|-------------|--------------|--------------|--------------------|------|----------------------|------|------|---------------|------------------------------------|----------------|----------|-----------------|
| | | | | | | | | | Idle | F.L. | F.L. | L.R. | B.D. | | | | | |
| 3 | 2.2 | 1760 | 2700 | 182TC | TEFC | IDXM7142T | ① | T2B | 2.2 | 4.0 | 9.0 | 22.0 | 31.0 | 89.5 | 0.26 | 147 | 18.24 | CD0005 |
| 5 | 4 | 1760 | 2700 | 184TC | TEFC | IDXM7144T | ① | T2B | 3.4 | 6.5 | 15.0 | 32.0 | 50.0 | 89.5 | 0.4 | 161 | 18.24 | CD0005 |
| 7.5 | 5.6 | 1760 | 2700 | 213TC | TEFC | IDXM7147T | ① | T2B | 4.9 | 9.7 | 22.4 | 42.9 | 69.9 | 90.2 | 0.85 | 228 | 20.69 | CD0005 |
| 10 | 7.5 | 1760 | 2700 | 215TC | TEFC | IDXM7170T | ① | T2B | 5.5 | 12.5 | 30.0 | 56.0 | 121 | 91.7 | 1.14 | 196 | 20.69 | CD0005 |
| 15 | 11 | 1765 | 2700 | 254TC | TEFC | IDXM7054T | ① | T2B | 6.95 | 18.0 | 45.0 | 88.0 | 143 | 92.4 | 1.84 | 356 | 26.00 | CD0005 |
| 20 | 15 | 1765 | 2700 | 256TC | TEFC | IDXM7056T | ① | T2B | 8.5 | 24.0 | 60.0 | 120 | 183 | 93.0 | 2.27 | 393 | 26.00 | CD0180 |
| 25 | 18.7 | 1780 | 2700 | 284T | TEFC | IDXM7058T | ① | T2B | 11.9 | 30.5 | 74.0 | 137 | 226 | 93.6 | 3.98 | 494 | 28.61 | CD0005 |
| 30 | 22.4 | 1780 | 2700 | 286T | TEFC | IDXM7060T | ① | T2B | 14.5 | 36.0 | 90.0 | 143 | 256 | 94.1 | 4.46 | 555 | 28.61 | CD0005 |
| 40 | 29 | 1780 | 2700 | 324T | TEFC | IDXM7062T | ① | T2B | 16.01 | 47.0 | 118 | 207 | 385 | 94.1 | 7.5 | 782 | 32.12 | CD0180 |
| 50 | 37 | 1780 | 2700 | 326T | TEFC | IDXM7064T | ① | T2B | 19.13 | 57.0 | 148 | 290 | 451 | 94.5 | 9.64 | 772 | 32.12 | CD0180 |
| 60 | 44 | 1780 | 2700 | 364T | TEFC | IDXM7066T | ① | T2B | 23.5 | 69.0 | 177 | 278 | 556 | 95.0 | 11.7 | 1006 | 33.25 | CD0180 |
| 75 | 56 | 1780 | 2700 | 405T | TEFC | IDXM7068T | ① | T2B | 23.6 | 85.0 | 225 | 388 | 515 | 94.1 | 22.4 | 1369 | 38.75 | CD0005 |

10:1 Variable Torque and Constant Torque Ratings

| Hp | kW | Base Spd | Max. RPM | Max. Frame | NEMA Encl. | Catalog No. | XP Cls & Grp | XP Temp Code | 460 Volt Line Amps | | Output Torque Lb-Ft. | | | % Effic. Line | Wk ² Lb-Ft ² | Ap'x Wgt. Lbs. | "C" Dim. | Conn. Diag. No. |
|------|------|----------|----------|------------|------------|-------------|--------------|--------------|--------------------|------|----------------------|------|------|---------------|------------------------------------|----------------|----------|-----------------|
| | | | | | | | | | Idle | F.L. | F.L. | L.R. | B.D. | | | | | |
| 0.50 | 0.37 | 1750 | 2700 | 56C | TEFC | IDXM7006 | ② | T3C | 0.5 | 0.8 | 1.5 | 5.6 | 6.7 | 82.5 | 0.09 | 42 | 14.30 | CD0005 |
| 0.75 | 0.56 | 1750 | 2700 | 56C | TEFC | IDXM7010 | ② | T3C | 0.61 | 1.1 | 2.25 | 8.4 | 8.8 | 82.5 | 0.12 | 46 | 14.30 | CD0005 |
| 1 | 0.75 | 1750 | 2700 | 143TC | TEFC | IDXM7014T | ② | T3C | 0.81 | 1.4 | 3.0 | 10.0 | 14.5 | 85.5 | 0.142 | 50 | 15.23 | CD0005 |
| 1.5 | 1.12 | 1750 | 2700 | 145TC | TEFC | IDXM7034T | ② | T3C | 1.13 | 2.1 | 4.5 | 19.0 | 23 | 88.5 | 0.166 | 53 | 15.23 | CD0005 |
| 2 | 1.5 | 1750 | 2700 | 145TC | TEFC | IDXM7037T | ② | T3C | 1.3 | 2.6 | 6.0 | 25.3 | 27.4 | 88.5 | 0.237 | 70 | 17.48 | CD0005 |
| 3 | 2.2 | 1760 | 2700 | 182TC | TEFC | IDXM7542T | ② | T3C | 2.2 | 4.0 | 9.0 | 22.0 | 31.0 | 89.5 | 0.26 | 144 | 18.24 | CD0005 |
| 5 | 4 | 1760 | 2700 | 213TC | TEFC | IDXM7544T | ① | T2B | 2.6 | 6.3 | 15.0 | 29.4 | 41.2 | 90.2 | 0.608 | 212 | 20.65 | CD0005 |
| 7.5 | 5.6 | 1760 | 2700 | 215TC | TEFC | IDXM7547T | ① | T2B | 4.9 | 9.7 | 22.4 | 42.9 | 69.9 | 90.2 | 0.84 | 225 | 20.65 | CD0005 |
| 10 | 7.5 | 1760 | 2700 | 254TC | TEFC | IDXM7570T | ① | T2B | 5.4 | 12.8 | 29.7 | 75.0 | 110 | 92.4 | 2.09 | 378 | 26.00 | CD0005 |
| 15 | 11 | 1765 | 2700 | 256TC | TEFC | IDXM7554T | ① | T2B | 7.0 | 17.0 | 45.0 | 93.0 | 151 | 92.4 | 2.1 | 381 | 26.00 | CD0005 |
| 20 | 15 | 1765 | 2700 | 284T | TEFC | IDXM7556T | ① | T2B | 8.6 | 24.5 | 59.0 | 96.0 | 167 | 90.2 | 3.5 | 516 | 28.61 | CD0005 |
| 25 | 18.7 | 1780 | 2700 | 324T | TEFC | IDXM7558T | ① | T2B | 10.6 | 30.0 | 74.0 | 114 | 226 | 91.7 | 6.16 | 705 | 32.12 | CD0180 |
| 30 | 22.4 | 1780 | 2700 | 326T | TEFC | IDXM7560T | ① | T2B | 13.3 | 35.0 | 89.0 | 147 | 276 | 94.5 | 7.5 | 731 | 32.12 | CD0180 |
| 40 | 29 | 1780 | 2700 | 364T | TEFC | IDXM7562T | ① | T2B | 12.2 | 48.0 | 118 | 218 | 297 | 92.4 | 11.7 | 913 | 33.25 | CD0005 |
| 50 | 37 | 1780 | 2700 | 365T | TEFC | IDXM7564T | ① | T2B | 12.2 | 57.0 | 147 | 266 | 343 | 92.4 | 11.7 | 971 | 33.25 | CD0180 |
| 60 | 44 | 1780 | 2700 | 405T | TEFC | IDXM7566T | ① | T2B | 17.8 | 69.0 | 177 | 332 | 425 | 93.6 | 22.4 | 1341 | 38.75 | CD0005 |

Cast Iron Frame

① Class I, Group D

② Class I, Group D, Class II, Group F & G

Explosion-Proof Inverter Drive® Motor Capabilities

| Hp | kW | 2:1 CTSR 10:1 VTSR Frame | 10:1 CTSR 10:1 VTSR Frame | Base Speed | Maximum Speed | Hp | kW | 2:1 CTSR 10:1 VTSR Frame | 10:1 CTSR 10:1 VTSR Frame | Base Speed | Maximum Speed |
|------|------|--------------------------------|---------------------------------|---------------|------------------|-----|------|--------------------------------|---------------------------------|---------------|------------------|
| 0.5 | 0.37 | | 56 | 3600 | 3600 | 30 | 22.4 | 286T | 326T | 3600 | 3600 |
| | | 56 | 56 | 1800 | 2700 | | | 286T | 326T | 1800 | 2700 |
| | | | 56 | 1200 | 1800 | | | 326T | 364T | 1200 | 1800 |
| 0.75 | 0.56 | | 56 | 3600 | 3600 | 40 | 29 | 324T | 364T | 3600 | 3600 |
| | | 56 | 56 | 1800 | 2700 | | | 324T | 364T | 1800 | 2700 |
| | | | 143T | 1200 | 1800 | | | 364T | 404T | 1200 | 1800 |
| 1 | 0.75 | | 56 | 3600 | 3600 | 50 | 37 | 326T | 365T | 3600 | 3600 |
| | | 143T | 143T | 1800 | 2700 | | | 326T | 365T | 1800 | 2700 |
| | | | 145T | 1200 | 1800 | | | 404T | 405T | 1200 | 1800 |
| 1.5 | 1.12 | | 143T | 3600 | 3600 | 60 | 44 | 365T | 405T | 3600 | 3600 |
| | | 145T | 145T | 1800 | 2700 | | | 365T | 405T | 1800 | 2700 |
| | | | 182T | 1200 | 1800 | | | 404T | 444T | 1200 | 1800 |
| 2 | 1.5 | | 145T | 3600 | 3600 | 75 | 56 | 365T | 444T | 3600 | 3600 |
| | | 145T | 145T | 1800 | 2700 | | | 405T | 444T | 1800 | 2700 |
| | | | 213T | 1200 | 1800 | | | 444T | 445T | 1200 | 1800 |
| 3 | 2.2 | | 182T | 3600 | 3600 | 100 | 75 | 444T | 445T | 3600 | 3600 |
| | | 182T | 182T | 1800 | 2700 | | | 444T | 445T | 1800 | 2700 |
| | | | 213T | 1200 | 1800 | | | 445T | 447T | 1200 | 1800 |
| 5 | 4 | | 184T | 3600 | 3600 | 125 | 93 | 445T | 447T | 3600 | 3600 |
| | | 184T | 213T | 1800 | 2700 | | | 445T | 449T | 1800 | 2700 |
| | | | 215T | 1200 | 1800 | | | 447T | 449T | 1200 | 1800 |
| 7.5 | 5.6 | | 213T | 3600 | 3600 | 150 | 112 | 447T | 449T | 3600 | 3600 |
| | | 213T | 215T | 1800 | 2700 | | | 447T | 449T | 1800 | 2700 |
| | | | 254T | 1200 | 1800 | | | 449T | 449T | 1200 | 1800 |
| 10 | 7.5 | | 215T | 3600 | 3600 | 200 | 149 | 449T | 449T | 3600 | 3600 |
| | | 215T | 254T | 1800 | 2700 | | | 449T | 449T | 1800 | 2700 |
| | | | 256T | 1200 | 1800 | | | 449T | 449T | 1200 | 1800 |
| 15 | 11 | | 254T | 3600 | 3600 | 250 | 187 | 449T | 449T | 3600 | 3600 |
| | | 254T | 256T | 1800 | 2700 | | | 449T | 449T | 1800 | 2700 |
| | | | 284T | 1200 | 1800 | | | 449T | N/A | 1200 | 1800 |
| 20 | 15 | | 256T | 3600 | 3600 | 300 | 224 | 449T | N/A | 3600 | 3600 |
| | | 256T | 284T | 1800 | 2700 | | | 449T | N/A | 1800 | 2700 |
| | | | 286T | 1200 | 1800 | | | N/A | N/A | 1200 | 1800 |
| 25 | 18.7 | | 284T | 3600 | 3600 | | | | | | |
| | | 284T | 324T | 1800 | 2700 | | | | | | |
| | | | 324T | 1200 | 1800 | | | | | | |

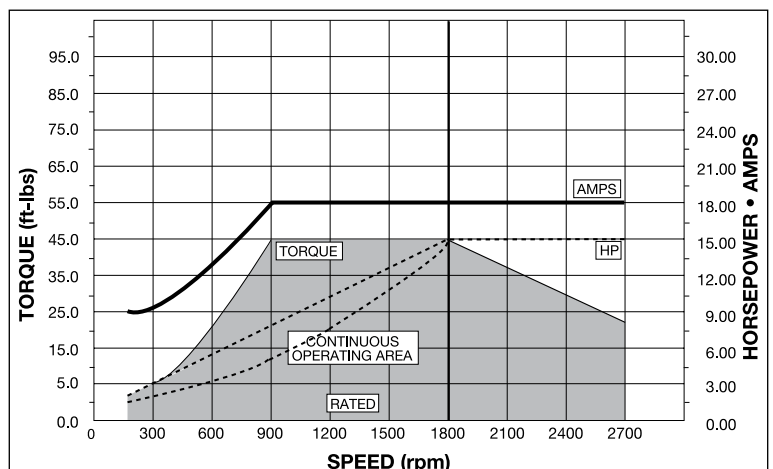
Note: Shaded areas are available from stock.

Matched Performance™: The Perfect Motor and Control for Your Application

Many motor and drive manufacturers claim that their products are designed to work together, but only Baldor backs up the claim with specific data. Introduced in 1993, Matched Performance provides lab-tested performance curve data on Baldor motors and controls, 1 to 800 hp, including inverters, vectors and servos. Showing peak torque, continuous torque, maximum speed and current, each Matched Performance curve illustrates the continuous and intermittent torque available from the motor at various speeds. This lets you know the motor's safe operating envelope below and above its base speed.

* NOTE: Baldor Inverters are supplied with NEMA 1 enclosures which are not approved for hazardous locations and should be remotely mounted. If the inverter drive needs to be mounted near the motor, contact your local Baldor district office.

Matched Performance Curve for 15 Hp Inverter Drive® Explosion-Proof Motor and Control*



Motor: IDXM7054T - 15 Hp
Control: ID15H415-E - 15 Hp Series 15H Inverter

Explosion-Proof SCR Drive Permanent Magnet and Shunt Wound DC Motors

When it comes to explosion-proof SCR Drive DC motors, Baldor offers two choices. Permanent Magnet motors are available from stock in 1/4 hp through 1-1/2 hp, in NEMA frames 56C and 145TC. Shunt Wound motors are available from stock in 1/2 hp through 3 hp, in NEMA frames 182CZ to 215CY. Both types are UL and CSA approved for Division 1, Class I – Group D and Class II – Groups F and G, with a 1.0 Service Factor. Most models include a thermostat on the field winding.



SCR Drive Permanent Magnet DC Motors

| Hp | kW | Base Speed | NEMA Frame | Catalog No. | XP Cls & Grp | XP Temp Code | Voltage Direct Current | | Full Load Amperage | | Ap'x. Shpg. Wgt. | Conn. Diag. No. |
|------|------|------------|------------|-------------|--------------|--------------|------------------------|------|--------------------|------|------------------|-----------------|
| | | | | | | | Arm. | Fld. | Arm. | Fld. | | |
| 0.25 | 0.18 | 1750 | 56C | CDPX3410 | ② | T3C | 90 | PM | 2.7 | PM | 38 | CD0194 |
| 0.25 | 0.18 | 1750 | 56C | CDPX3406 | ② | T3C | 180 | PM | 1.3 | PM | 38 | CD0194 |
| 0.33 | 0.25 | 1750 | 56C | CDPX3420 | ② | T3C | 90 | PM | 3.6 | PM | 42 | CD0194 |
| 0.33 | 0.25 | 1750 | 56C | CDPX3416 | ② | T3C | 180 | PM | 1.7 | PM | 44 | CD0194 |
| 0.50 | 0.37 | 1750 | 56C | CDPX3430 | ② | T3C | 90 | PM | 5.2 | PM | 46 | CD0194 |
| 0.50 | 0.37 | 1750 | 56C | CDPX3426 | ② | T3C | 180 | PM | 2.5 | PM | 46 | CD0194 |
| 0.75 | 0.56 | 1750 | 56C | CDPX3440 | ② | T3C | 90 | PM | 7.0 | PM | 51 | CD0194 |
| 0.75 | 0.56 | 1750 | 56C | CDPX3436 | ② | T3C | 180 | PM | 3.5 | PM | 51 | CD0194 |
| 1 | 0.75 | 1750 | 56C | CDPX3545 | ② | T3C | 90 | PM | 9.6 | PM | 72 | CD0194 |
| 1 | 0.75 | 1750 | 56C | CDPX3555 | ② | T3C | 180 | PM | 4.9 | PM | 71 | CD0194 |
| 1.5 | 1.12 | 1750 | 145TC | CDPX3575 | ② | T3C | 180 | PM | 7.1 | PM | 81 | CD0194 |

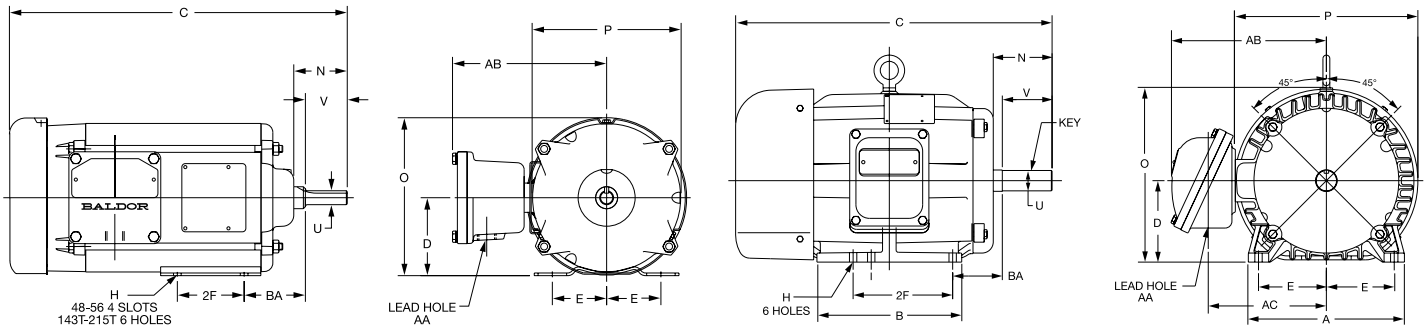
SCR Drive Shunt Wound DC Motors

| Hp | kW | Base Speed | NEMA Frame | Catalog No. | XP Cls & Grp | XP Temp Code | Voltage Direct Current | | Full Load Amperage | | Ap'x. Shpg. Wgt. | Conn. Diag. No. |
|------|------|------------|------------|-------------|--------------|--------------|------------------------|---------|--------------------|------|------------------|-----------------|
| | | | | | | | Arm. | Fld. | Arm. | Fld. | | |
| 0.50 | 0.37 | 1750 | 182CZ | CDX1850 | ② | T3B | 90 | 100/50 | 4.9 | 0.55 | 103 | CD0860 |
| 0.75 | 0.56 | 1750 | 182CZ | CDX1875 | ② | T3B | 90 | 100/50 | 7.0 | 0.55 | 100 | CD0860 |
| 1 | 0.75 | 1750 | 182CZ | CDX2001 | ② | T3B | 180 | 200/100 | 5.0 | 0.25 | 105 | CD0860 |
| 1 | 0.75 | 1750 | 182C | CDX7100 | ② | T3B | 180 | 200/100 | 5.0 | 0.25 | 103 | CD0860 |
| 1.5 | 1.12 | 1750 | 184C | CDX7150 | ② | T3B | 180 | 200/100 | 7.5 | 0.25 | 121 | CD0860 |
| 2 | 1.5 | 1750 | 184C | CDX7200 | ② | T3B | 180 | 200/100 | 9.5 | 0.40 | 135 | CD0860 |

② Class I, Group D, Class II, Group F & G

Dimensions

Horizontal Base Mount Explosion-Proof Motors



Single Phase, Rolled Steel Construction

| NEMA Frame | A | B | D | E | 2F | H | N | O | P | U | V | AA | AB | AC | BA |
|------------|------|--------|------|------|--------|------|--------|--------|---------|-------|------|--------|--------|--------|------|
| 48 | 5.75 | 4.00 | 3.00 | 2.12 | 2.75 | 0.34 | 1.62 | 6.10 | 5.75 | 0.50 | 1.50 | 0.50 | 6.54 | 5.00 | 2.50 |
| (400Type) | | (4.25) | | | | | (2.00) | (6.60) | (5.78) | | | (6.50) | (4.96) | | |
| 56 | 6.56 | 4.50 | 3.50 | 2.44 | 3.00 | 0.34 | 2.40 | 7.09 | 6.69 | 0.62 | 1.88 | 0.50 | 6.92 | 5.38 | 2.75 |
| 143T | | | | | 4.00 | | | | | | | | | | |
| 145T | 6.50 | 5.94 | 3.50 | 2.75 | 5.00 | 0.34 | 2.46 | 7.09 | 6.69 | 0.87 | 2.25 | 0.75 | 6.92 | 5.38 | 2.25 |
| (500Type) | | | | | (4.50) | | (2.46) | (8.09) | (6.69) | | | (0.50) | (6.92) | (5.38) | |
| 182-4 | 8.63 | 6.50 | 4.50 | 3.75 | 5.50 | 0.41 | 2.56 | 8.44 | 7.88 | 0.87 | 2.25 | 0.75 | 7.52 | 5.98 | 2.75 |
| 182T | | | | | 4.50 | | | | | | | | | | |
| 184T | 8.63 | 6.50 | 4.50 | 3.75 | 5.50 | 0.41 | 3.06 | 8.44 | 7.88 | 1.12 | 2.75 | 0.75 | 7.52 | 5.98 | 2.75 |
| 213 | | | | | 5.50 | | | | 9.69(L) | | | | | | |
| 215 | 9.50 | 8.00 | 5.25 | 4.25 | 7.00 | 0.41 | 3.44 | 10.56 | 9.56(M) | 1.12 | 3.00 | 0.75 | 8.37 | 6.83 | 3.50 |
| 213T | | | | | 5.50 | | | | | | | | | | |
| 215T | 9.50 | 8.00 | 5.25 | 4.25 | 7.00 | 0.41 | 3.82 | 10.03 | 9.56 | 1.375 | 3.38 | 0.75 | 8.37 | 6.83 | 3.50 |

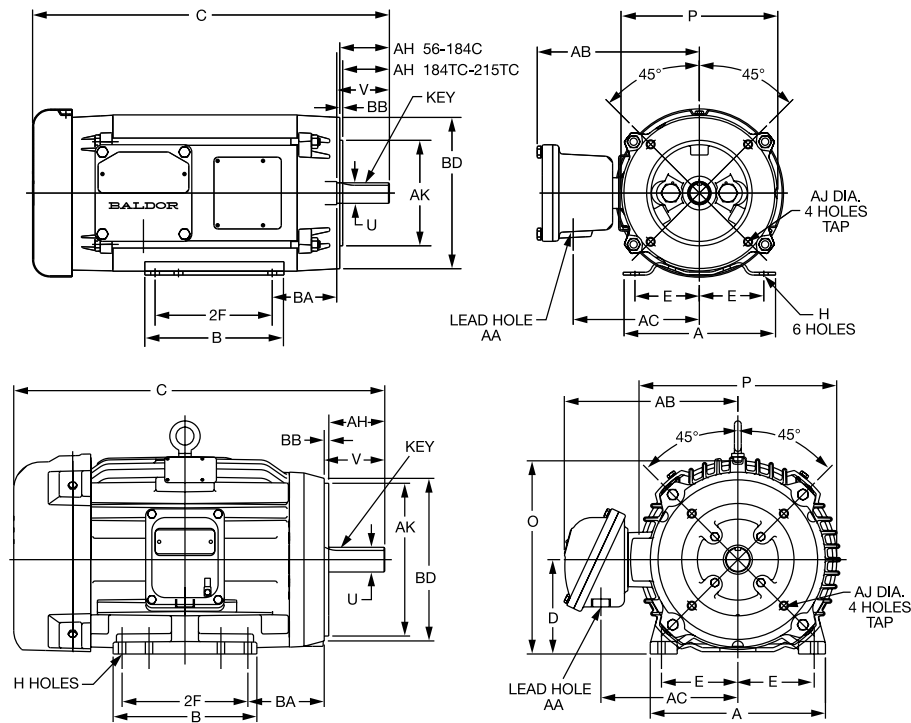
Three Phase, Cast Iron Construction

| NEMA Frame | A | B | D | E | 2F | H | N | O | P | U | V | AA | AB | AC | BA |
|------------|-------|-------|-------|------|-------|------|------|-------|-------|------|------|------|-------|-------|------|
| 182T | | | | | 4.50 | | | | | | | | | | |
| 184T | 8.62 | 8.00 | 4.50 | 3.75 | 5.50 | 0.41 | 3.25 | 11.27 | 10.08 | 1.12 | 2.75 | 0.75 | 8.56 | 6.53 | 2.75 |
| 213T | | | | | 5.50 | | | | | | | | | | |
| 215T | 9.75 | 8.00 | 5.25 | 4.25 | 7.00 | 0.41 | 3.47 | 10.75 | 11.00 | 1.37 | 3.38 | 0.75 | 9.66 | 7.62 | 3.50 |
| 254T | | | | | 8.25 | | | | | | | | | | |
| 256T | 11.50 | 11.50 | 6.25 | 5.00 | 10.00 | 0.53 | 4.20 | 12.94 | 13.44 | 1.62 | 4.00 | 1.25 | 12.37 | 9.24 | 4.25 |
| 284TS | | | | | 9.50 | | | | | | | | | | |
| 286TS | 12.76 | 12.75 | 7.00 | 5.50 | 11.00 | 0.53 | 3.50 | 14.75 | 15.54 | 1.62 | 3.25 | 1.25 | 16.51 | 11.57 | 4.75 |
| 284T | | | | | 9.50 | | | | | | | | | | |
| 286T | 12.76 | 12.75 | 7.00 | 5.50 | 11.00 | 0.53 | 4.88 | 14.75 | 15.54 | 1.87 | 4.63 | 1.50 | 16.51 | 11.57 | 4.75 |
| 324TS | | | | | 10.50 | | | | | | | | | | |
| 326TS | 14.50 | 14.00 | 8.00 | 6.25 | 12.00 | 0.66 | 3.94 | 16.68 | 17.40 | 1.87 | 3.75 | 2.00 | 17.40 | 12.48 | 5.25 |
| 324T | | | | | 10.50 | | | | | | | | | | |
| 326T | 14.50 | 14.00 | 8.00 | 6.25 | 12.00 | 0.66 | 5.44 | 16.68 | 17.40 | 2.12 | 5.25 | 2.00 | 17.40 | 12.48 | 5.25 |
| 364T | | 13.50 | | | 11.25 | | | | | | | | 17.44 | | |
| 365T | 17.00 | 14.50 | 9.00 | 7.00 | 12.25 | 0.66 | 6.13 | 18.50 | 18.88 | 2.37 | 5.88 | 2.50 | 17.35 | 12.75 | 5.88 |
| 404T | | 15.25 | | | 12.75 | | | | | | | | | | |
| 405T | 19.50 | 16.75 | 10.00 | 8.00 | 13.75 | 0.81 | 7.56 | 21.00 | 20.88 | 2.87 | 7.25 | 2.50 | 18.44 | 13.75 | 6.62 |
| 444T | | | | | 14.50 | | | | | | | | | | |
| 445T | 21.75 | 20.25 | 11.00 | 9.00 | 16.50 | 0.81 | 8.75 | 22.94 | 24.81 | 3.37 | 8.50 | 3.00 | 23.63 | 18.31 | 7.50 |
| 447T | | | | | 20.00 | | | | | | | | | | |
| 449T | 21.75 | 28.75 | 11.00 | 9.00 | 25.00 | 0.81 | 8.50 | 22.94 | 24.81 | 3.37 | 8.50 | 3.00 | 27.67 | 18.62 | 7.50 |

Note: Drawings shown are for reference only. Please contact Baldor for a detailed dimensional drawing of the specific motor you require. Drawings may also be available from our website at www.baldor.com

Dimensions

C-Face Explosion-Proof Motors



Rolled Steel Construction

| NEMA Frame | A | B | D | E | 2F | H | O | P | U | V | AA | AB | AC | AH | AJ | AK | BA | BB | BD | Tap | |
|------------|--------|--------|------|------|------|------|--------|--------|------|------|------|------|------|------|------|------|------|------|------|--------|--|
| 400(Type) | (6.56) | (4.25) | | | | | (6.60) | (5.78) | | | | | | | | | | | | | |
| 56C | 6.50 | 4.50 | 3.50 | 2.44 | 3.00 | 0.34 | 7.09 | 6.69 | 0.62 | 1.88 | 0.50 | 6.92 | 5.38 | 2.06 | 5.88 | 4.50 | 2.75 | 0.12 | 6.46 | 3/8-16 | |
| 143TC | | | | | 4.00 | | | | | | | | | | | | | | | | |
| 145TC | 6.50 | 5.94 | 3.50 | 2.75 | 5.00 | 0.34 | 7.09 | 6.69 | 0.87 | 2.25 | 0.75 | 6.92 | 5.38 | 2.12 | 5.88 | 4.50 | 2.75 | 0.13 | 6.46 | 3/8-16 | |
| 182C | | | | | 4.50 | | | | | | | | | | | | | | | | |
| 184C | 8.63 | 6.50 | 4.50 | 3.75 | 5.50 | 0.41 | 8.44 | 8.00 | 0.87 | 2.25 | 0.75 | 7.52 | 5.98 | 2.12 | 5.88 | 4.50 | 2.75 | 0.13 | 6.38 | 3/8-16 | |
| 182TC | | | | | 4.50 | | | | | | | | | | | | | | | | |
| 184TC | 8.63 | 6.50 | 4.50 | 3.75 | 5.50 | 0.41 | 9.00 | 8.03 | 1.12 | 2.75 | 0.75 | 7.52 | 5.98 | 2.62 | 7.25 | 8.50 | 2.75 | 0.25 | 8.98 | 1/2-13 | |
| 213C | | | | | 5.50 | | | | | | | | | | | | | | | | |
| 215C | 9.50 | 8.00 | 5.25 | 4.25 | 7.00 | 0.41 | 10.10 | 9.69 | 1.12 | 3.00 | 0.75 | 8.37 | 6.83 | 2.75 | 7.25 | 8.50 | 3.50 | 0.25 | 9.00 | 1/2-13 | |
| 213TC | | | | | 5.50 | | | | | | | | | | | | | | | | |
| 215TC | 9.50 | 8.00 | 5.25 | 4.25 | 7.00 | 0.41 | 10.03 | 9.69 | 1.37 | 3.37 | 0.75 | 8.37 | 6.83 | 3.12 | 7.25 | 8.50 | 4.25 | 0.25 | 9.04 | 1/2-13 | |

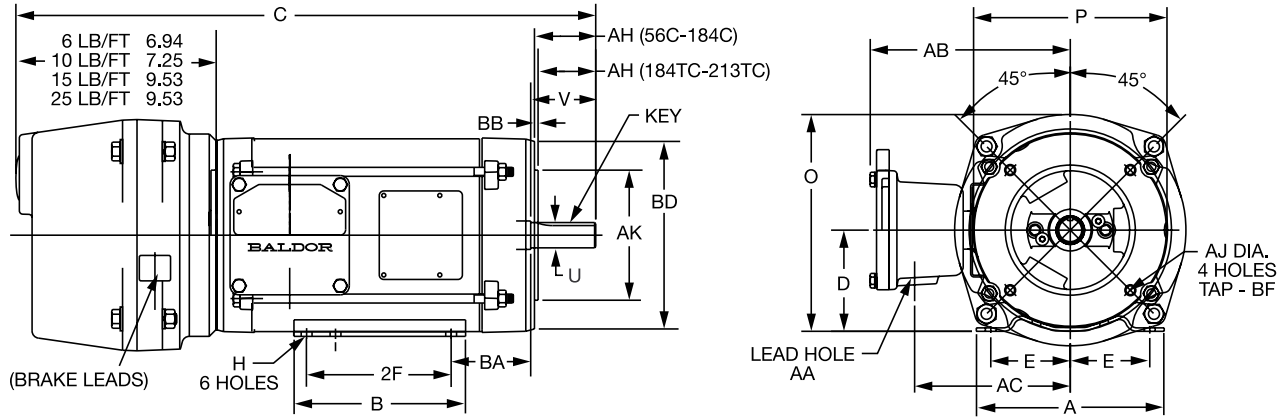
Cast Iron Construction

| NEMA Frame | A | B | D | E | 2F | H | O | P | U | V | AA | AB | AC | AH | AJ | AK | BA | BB | BD | Tap | |
|------------|-------|-------|------|------|-------|------|-------|-------|------|------|------|-------|-------|------|-------|-------|------|------|-------|--------|--|
| 213TC | | | | | 5.50 | | | | | | | | | | | | | | | | |
| 215TC | 9.75 | 8.00 | 5.25 | 4.25 | 7.00 | 0.41 | 10.75 | 11.00 | 1.37 | 3.38 | 0.75 | 9.66 | 7.62 | 3.12 | 7.25 | 8.50 | 4.25 | 0.25 | 9.05 | 1/2-13 | |
| 254TC | | | | | 8.25 | | | | | | | | | | | | | | | | |
| 256TC | 11.50 | 11.50 | 6.25 | 5.00 | 10.00 | 0.53 | 12.94 | 13.44 | 1.62 | 4.00 | 1.25 | 11.19 | 8.57 | 3.75 | 7.25 | 8.50 | 4.75 | 0.25 | 9.13 | 1/2-13 | |
| 284TCS | | | | | 9.50 | | | | | | | | | | | | | | | | |
| 286TCS | 12.76 | 12.75 | 7.00 | 5.50 | 11.00 | 0.53 | 14.75 | 15.54 | 1.62 | 3.25 | 1.25 | 14.37 | 10.69 | 3.00 | 9.00 | 10.50 | 4.75 | 0.25 | 11.15 | 1/2-13 | |
| 284TC | | | | | 9.50 | | | | | | | | | | | | | | | | |
| 286TC | 12.76 | 12.75 | 7.00 | 5.50 | 11.00 | 0.53 | 14.75 | 15.54 | 1.87 | 4.62 | 1.25 | 14.37 | 10.69 | 4.37 | 9.00 | 10.50 | 4.75 | 0.25 | 11.15 | 1/2-13 | |
| 324TC | | | | | 10.50 | | | | | | | | | | | | | | | | |
| 326TC | 14.50 | 14.00 | 8.00 | 6.25 | 12.00 | 0.65 | 16.68 | 17.46 | 2.12 | 5.25 | 1.50 | 15.25 | 11.60 | 5.00 | 11.00 | 12.50 | 5.25 | 0.25 | 13.38 | 5/8-11 | |

Note: Drawings shown are for reference only. Please contact Baldor for a detailed dimensional drawing of the specific motor you require. Drawings may also be available from our website at www.baldor.com

Dimensions

Brake Motors, C-Face Foot Mounted, Explosion Proof , Three Phase

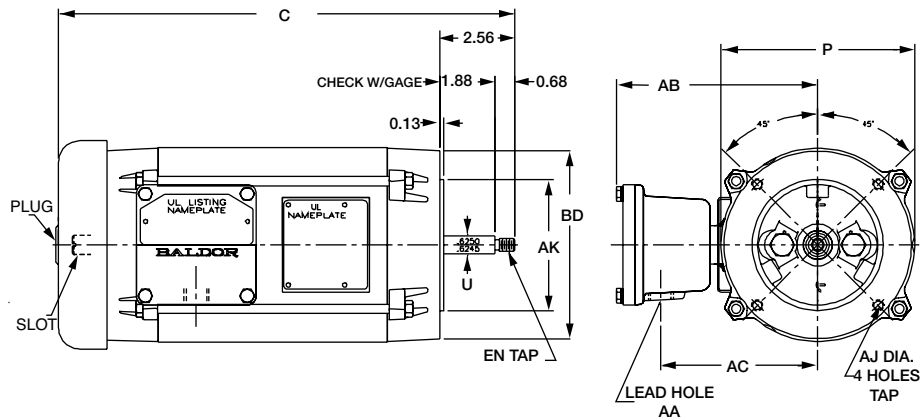


| NEMA Frame | A | B | D | E | 2F | H | O | P | U | V | AA | AB | AC | AH | AJ | AK | BA | BB | BD | Tap |
|------------|------|------|------|------|------|------|-------|------|------|------|------|------|------|------|------|------|------|------|------|--------|
| 56C | 6.50 | 4.50 | 3.50 | 2.44 | 3.00 | 0.34 | 7.50 | 6.69 | 0.62 | 1.87 | 0.50 | 6.92 | 5.38 | 2.06 | 5.88 | 4.50 | 2.75 | 0.13 | 6.49 | 3/8-16 |
| 143TC | | | | | 4.00 | | | | | | | | | | | | | | | |
| 145TC | 6.50 | 5.94 | 3.50 | 2.75 | 5.00 | 0.34 | 7.50 | 6.69 | 0.87 | 2.25 | 0.75 | 6.92 | 5.38 | 2.12 | 5.88 | 4.50 | 2.75 | 0.13 | 6.49 | 3/8-16 |
| 182TC | | | | | 4.50 | | | | | | | | | | | | | | | |
| 184TC | 8.63 | 6.50 | 4.50 | 3.75 | 5.50 | 0.41 | 8.99 | 8.03 | 1.12 | 2.75 | 0.75 | 7.52 | 5.98 | 2.62 | 7.25 | 8.50 | 3.50 | 0.25 | 8.98 | 1/2-13 |
| 213TC | | | | | 5.50 | | | | | | | | | | | | | | | |
| 215TC | 9.50 | 8.00 | 5.25 | 4.25 | 7.00 | 0.41 | 10.03 | 9.69 | 1.37 | 3.37 | 0.75 | 8.37 | 6.83 | 3.12 | 7.25 | 8.50 | 4.25 | 0.25 | 9.00 | 1/2-13 |

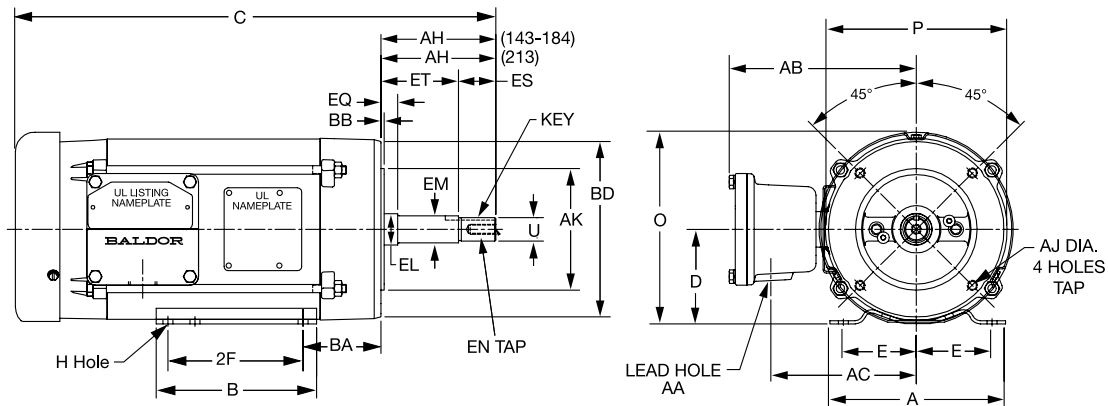
Note: Drawings shown are for reference only. Please contact Baldor for a detailed dimensional drawing of the specific motor you require. Drawings may also be available from our website at www.baldor.com

Dimensions

Jet Pump Explosion-Proof Motors 56J Frame



Close-Coupled Pump Explosion-Proof Motors 143JM-2 ISJM Frame



Rolled Steel Construction

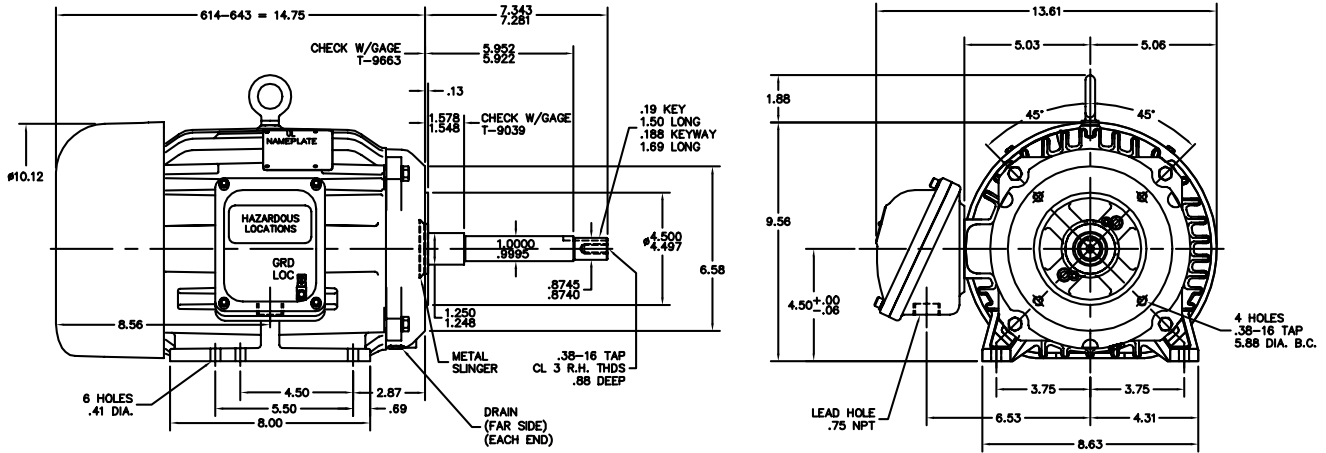
| NEMA Frame | A | B | D | E | 2F | H | O | P | U | AA | AB | AC | AJ | AK | BA | BB | BD | Tap |
|------------------|------|------|------|------|------|------|-------|--------|------|------|------|------|------|------|------|------|------|--------|
| (400Type) 56J | - | - | - | - | - | - | - | (5.61) | 6.68 | 0.62 | 0.50 | 6.90 | 5.38 | 5.88 | - | 0.12 | 6.50 | 3/8-16 |
| 143JM | | | | | 4.00 | | | | | | | | | | | | | |
| 145JM | 6.50 | 5.94 | 3.50 | 2.75 | 5.00 | 0.34 | 7.81 | 6.69 | 0.87 | 0.75 | 6.92 | 5.38 | 5.88 | 4.50 | 2.88 | 0.13 | 6.49 | 3/8-16 |
| 182JM | | | | | 4.50 | | | | | | | | | | | | | |
| 184JM | 8.63 | 6.50 | 4.50 | 3.75 | 5.50 | 0.41 | 8.99 | 7.88 | 0.87 | 0.75 | 7.52 | 5.98 | 5.88 | 4.50 | 3.50 | 0.12 | 6.28 | 3/8-16 |
| 213JM | | | | | 5.50 | | | | | | | | | | | | | |
| 215JM | 9.50 | 8.00 | 5.25 | 4.25 | 7.00 | 0.41 | 10.99 | 9.69 | 0.87 | 0.75 | 8.37 | 6.83 | 7.25 | 8.50 | 4.25 | 0.25 | 9.04 | 1/2-13 |

| NEMA Frame | AH | EL | EM | EN | EQ | ES | ET |
|------------|------|------|------|------|------|------|------|
| 143JM | | | | | | | |
| 145JM | 4.28 | 1.16 | 1.00 | 0.88 | 0.64 | 1.39 | 2.89 |
| 182JM | | | | | | | |
| 184JM | 4.28 | 1.25 | 1.00 | 0.88 | 0.64 | 1.39 | 2.89 |
| 213JM | | | | | | | |
| 215JM | 4.25 | 1.25 | 1.00 | 0.88 | 0.62 | 1.37 | 2.88 |

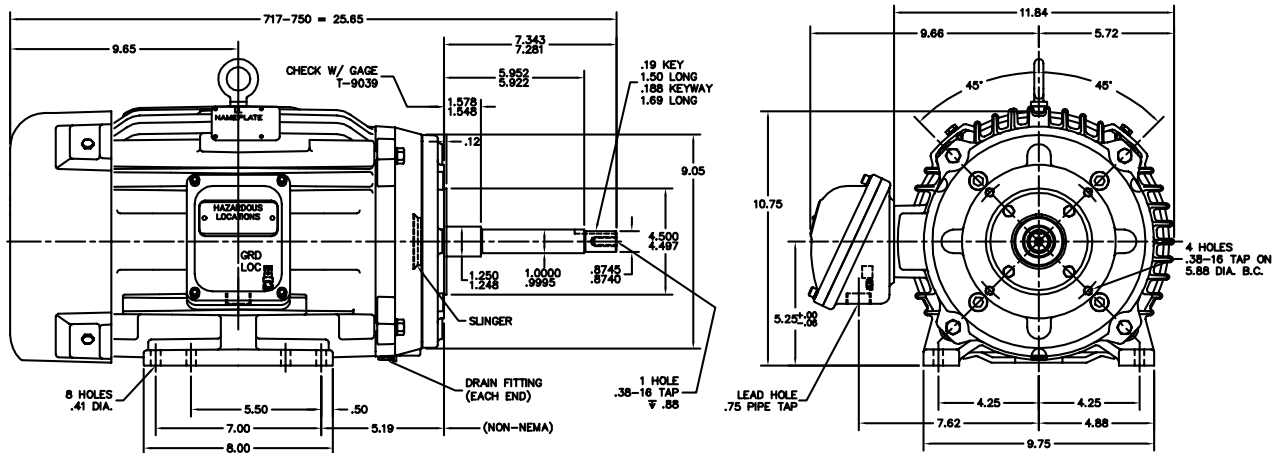
Note: Drawings shown are for reference only. Please contact Baldor for a detailed dimensional drawing of the specific motor you require. Drawings may also be available from our website at www.baldor.com

Dimensions

Close Coupled Pump – Drill Rig Duty 182JP Frame



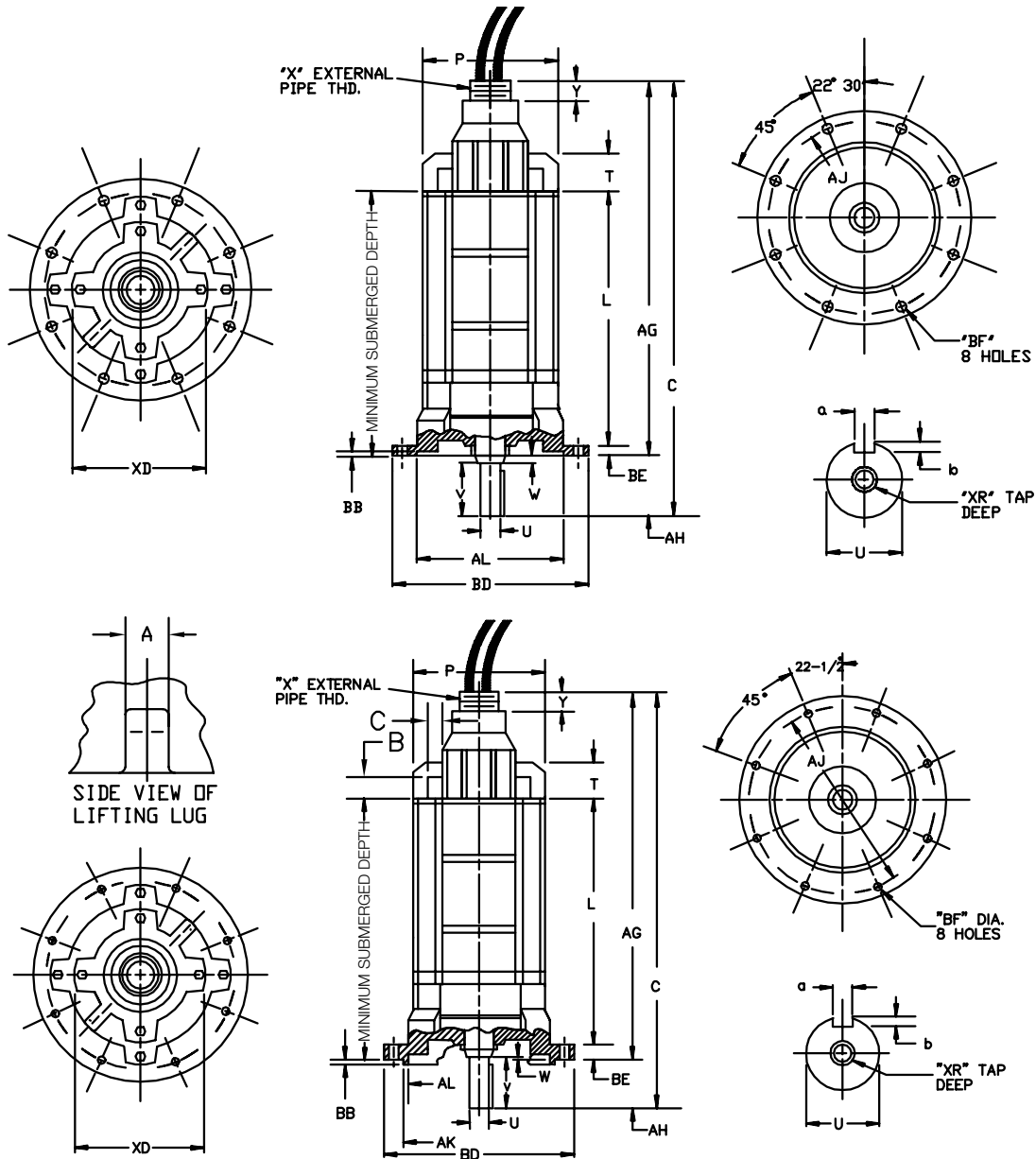
Close Coupled Pump – Drill Rig Duty – One Size Smaller Flange J Shaft 184JP Mounting



Note: Drawings shown are for reference only. Please contact Baldor for a detailed dimensional drawing of the specific motor you require. Drawings may also be available from our website at www.baldor.com

Dimensions

Submersible 140TY-320TY Frames



Dimensions are in inches

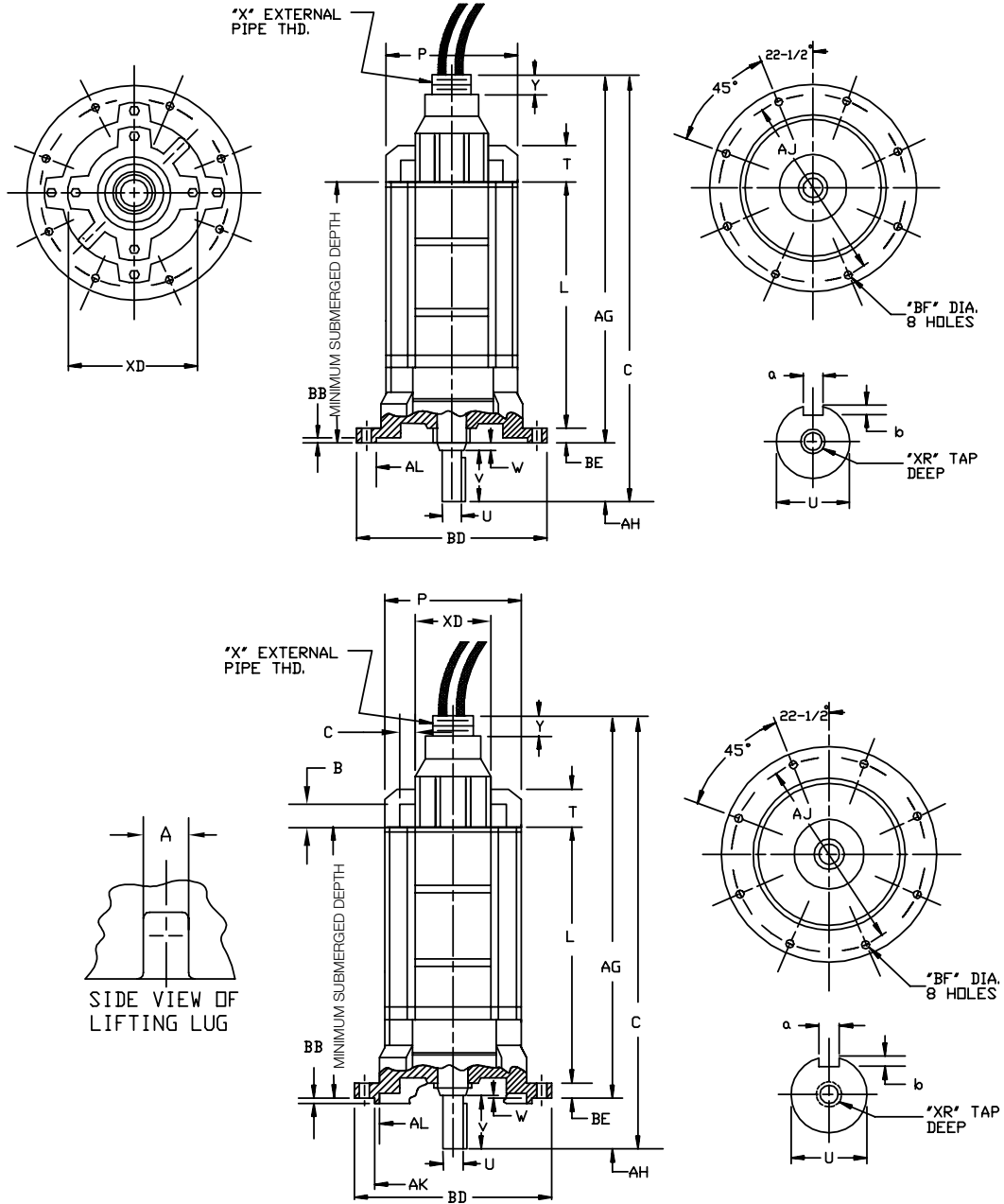
| Frame | C | L | P | T | U | V | W | AG | AH | AJ | AK | AL |
|-------|-------|-------|-------|------|--------|------|------|-------|------|-------|--------|--------|
| 140TY | 25.44 | 15.38 | 8.00 | 2.25 | .8750 | 1.25 | .31 | 23.88 | 1.59 | 10.00 | | 9.125 |
| 180TY | 26.66 | 16.50 | 9.62 | 2.25 | 1.2500 | 2.00 | .28 | 24.38 | 2.28 | 11.50 | | 10.625 |
| 210TY | 31.69 | 21.12 | 11.50 | 2.25 | 1.4380 | 2.00 | .44 | 30.12 | 1.56 | 14.12 | 13.125 | 12.00 |
| 250TY | 38.53 | 24.12 | 12.75 | 3.50 | 1.750 | 3.31 | .28 | 35.50 | 3.03 | 16.00 | 15.000 | 14.00 |
| 320TY | 43.12 | 24.69 | 15.75 | 4.25 | 2.500 | 3.19 | 2.12 | 37.81 | 5.37 | 17.25 | 16.000 | 15.25 |

| Frame | BD | BE | BF | XR | X | Lead Connection | | BB | B.E. Keyway | | | Weight |
|-------|--------|-----|-----|--------|---------|-----------------|-------|-----|-------------|-----|--------|--------|
| | | | | | | Y | XD | | A | B | Length | |
| 140TY | 11.062 | .75 | .44 | 3/8-16 | 2-1/2-8 | 1.25 | 5.50 | .12 | .187 | .09 | 1.25 | 160 |
| 180TY | 12.375 | .75 | .56 | 1/2-13 | 2-1/2-8 | 1.25 | 6.75 | .12 | .250 | .12 | 1.12 | 200 |
| 210TY | 15.250 | .75 | .56 | 5/8-11 | 2-1/2-8 | 1.25 | 7.75 | .25 | .375 | .19 | 1.12 | 315 |
| 250TY | 17.000 | .88 | .69 | 5/8-11 | 2-1/2-8 | 1.25 | 7.75 | .25 | .375 | .19 | 2.25 | 750 |
| 320TY | 18.750 | .88 | .69 | 3/4-10 | 3-8 | 1.25 | 10.88 | .25 | .500 | .25 | 3.00 | 1150 |

Note: Drawings shown are for reference only. Please contact Baldor for a detailed dimensional drawing of the specific motor you require. Drawings may also be available from our website at www.baldor.com

Dimensions

Submersible 180TY-320TY Frames One Size Smaller Flange & Shaft



Dimensions are in inches

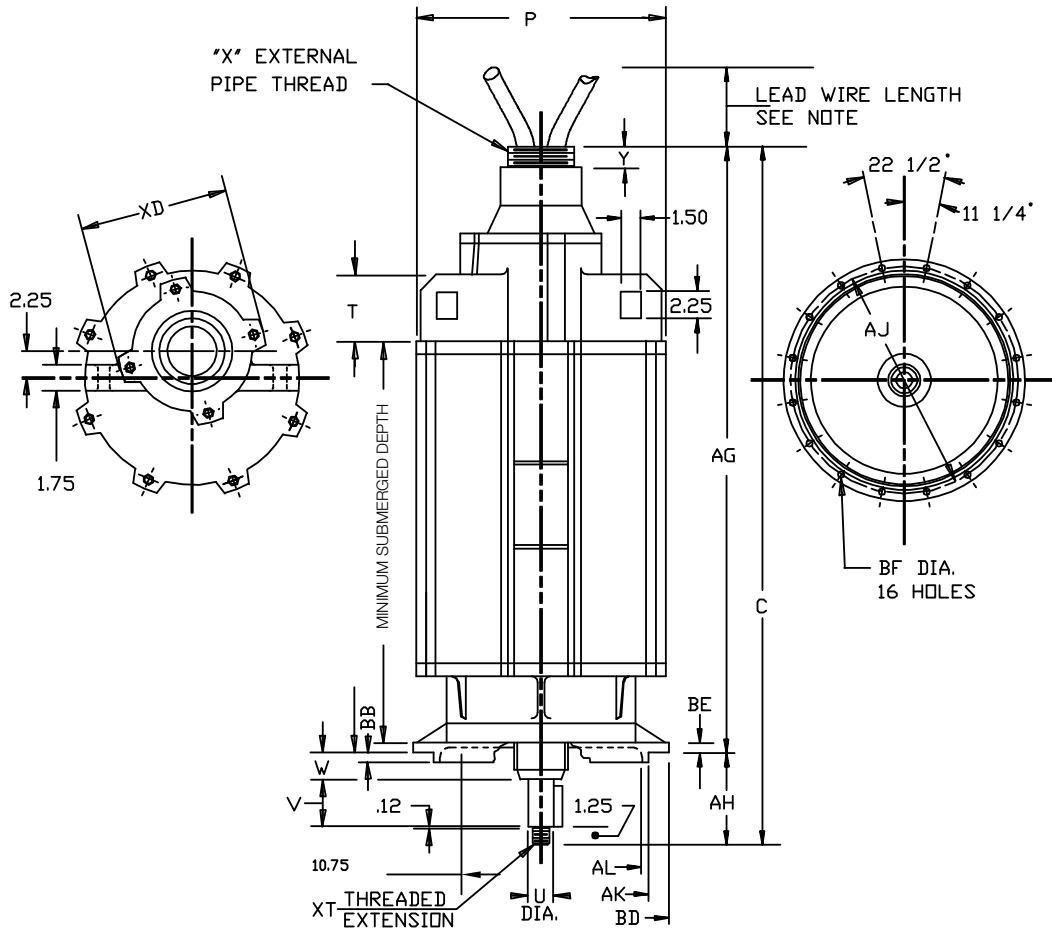
| Frame | C | L | P | T | U | V | W | AG | AH | AJ | AK | AL |
|-------|-------|-------|-------|------|--------|------|-----|-------|------|-------|--------|--------|
| 180TY | 25.94 | 16.50 | 9.62 | 2.25 | .8750 | 1.25 | .31 | 24.38 | 1.56 | 10.00 | | 91.25 |
| 210TY | 32.41 | 24.12 | 11.20 | 2.25 | 1.2500 | 2.00 | .25 | 30.12 | 2.28 | 11.50 | | 10.625 |
| 250TY | 37.06 | 24.12 | 12.75 | 3.50 | 1.438 | 2.00 | .25 | 35.50 | 1.56 | 14.12 | 13.125 | 12.00 |
| 320TY | 42.50 | 26.31 | 16.00 | 4.25 | 1.750 | 3.31 | .25 | 39.25 | 3.03 | 16.00 | 15.000 | 14.25 |

| Frame | BD | BE | BF | XR | X | Lead Connection | | BB | B.E. Keyway | | | Weight |
|-------|--------|------|-----|---------|---------|-----------------|-------|-----|-------------|-----|--------|--------|
| | | | | | | Y | XD | | A | B | Length | |
| 180TY | 11.062 | .75 | .44 | 3/18-16 | 2-1/2-8 | 1.25 | 6.75 | .12 | .187 | .09 | 1.12 | 200 |
| 210TY | 12.375 | .75 | .56 | 1/2-13 | 2-1/2-8 | 1.25 | 7.75 | .12 | .250 | .12 | 1.12 | 315 |
| 250TY | 15.25 | 1.00 | .56 | 5/8-11 | 2-1/2-8 | 1.25 | 7.75 | .25 | .375 | .19 | 1.12 | 750 |
| 320TY | 17.00 | .88 | .69 | 5/8-11 | 3'-8 | 1.25 | 10.88 | .25 | .375 | .19 | 3.00 | 1150 |

Note: Drawings shown are for reference only. Please contact Baldor for a detailed dimensional drawing of the specific motor you require. Drawings may also be available from our website at www.baldor.com

Dimensions

Submersible 360TY-L360TY Frames



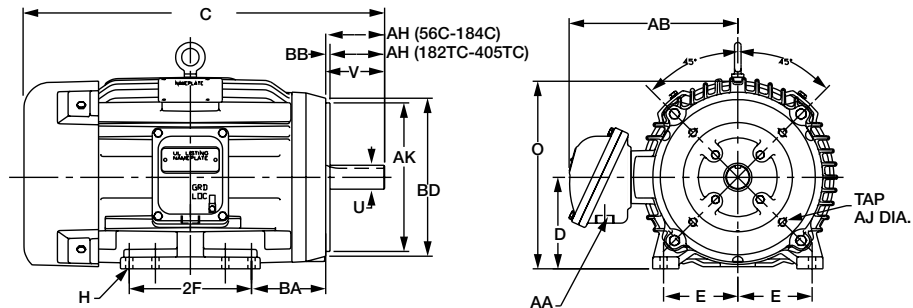
Dimensions are in inches

| Frame | C | L | P | T | U | V | W | AG | AH | AJ | AK | AL |
|-------|------|-------|-------|------|----------|-----------------|------|-------|-------------|-------|--------|-------|
| 180TY | 47.1 | 31.25 | 18.38 | 4.25 | 2.4997 | 3.19 | 2.12 | 43.25 | 6.56 | 18.75 | 17.500 | 15.25 |
| 210TY | 49.1 | 33.25 | 18.38 | 4.25 | 2.4997 | 3.19 | 2.12 | 45.25 | 6.56 | 18.75 | 17.500 | 15.25 |
| Frame | BB | BD | BE | BF | XT | Lead Connection | | | B.E. Keyway | | | |
| | | | | | | X | Y | XD | SQ. | LGTH | | |
| 180TY | .25 | 20.25 | 1.12 | .69 | 1-1/2-12 | 3-8 | 1.25 | 10.88 | .50 | 3.00 | | |
| 210TY | .25 | 20.25 | 1.12 | .69 | 1-1/2-12 | 3-8 | 1.25 | 10.88 | .50 | 3.00 | | |

Note: Drawings shown are for reference only. Please contact Baldor for a detailed dimensional drawing of the specific motor you require. Drawings may also be available from our website at www.baldor.com

Dimensions

TEFC Inverter Drive® Explosion-Proof Motors

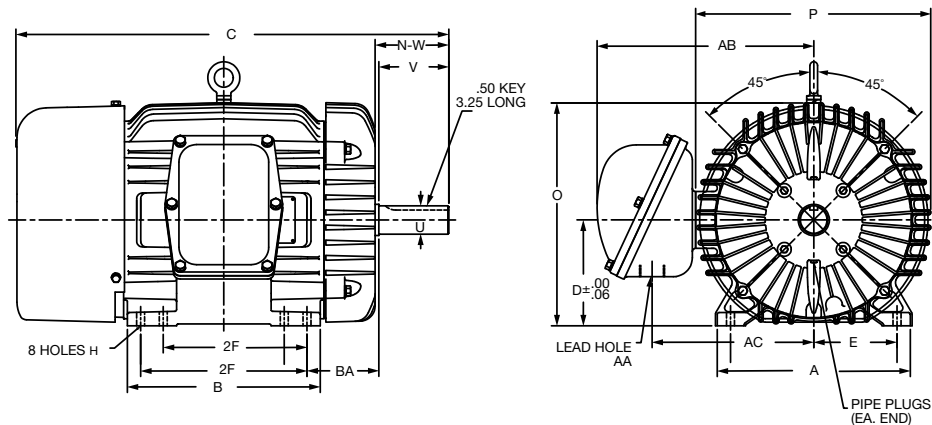


Rolled Steel Construction

| NEMA Frame | D | E | 2F | H | O | U | V | AA | AB | AH | AJ | AK | BA | BB | BD | Tap |
|------------|------|------|------|------|------|-------|------|-------------|------|------|------|------|------|------|------|--------|
| 56C | 3.50 | 2.44 | 3.00 | 0.34 | 7.09 | 0.625 | 1.88 | 0.50 NPT | 6.92 | 2.06 | 5.88 | 4.50 | 2.75 | 0.13 | 6.46 | 3/8-16 |
| 143TC | | | 4.00 | | | | | 0.75 NPT | | | | | | | | |
| 145TC | 3.50 | 2.75 | 5.00 | 0.34 | 7.09 | 0.875 | 2.25 | 0.75 NPT | 6.92 | 2.12 | 5.88 | 4.50 | 2.75 | 0.13 | 6.46 | 3/8-16 |

Cast Iron Construction

| NEMA Frame | D | E | 2F | H | O | U | V | AA | AB | AH | AJ | AK | BA | BB | BD | Tap |
|------------|------|------|-------|------|-------|-------|------|------|-------|------|------|------|------|------|------|--------|
| 182TC | | | 4.50 | | | | | | | | | | | | | |
| 184TC | 4.50 | 3.75 | 5.50 | 0.41 | 9.56 | 1.125 | 2.75 | 0.75 | 8.55 | 2.62 | 7.25 | 8.50 | 3.50 | 0.13 | 8.96 | 1/2-13 |
| 213TC | | | 5.50 | | | | | | | | | | | | | |
| 215TC | 5.25 | 4.25 | 7.00 | 0.41 | 10.75 | 1.375 | 3.37 | 0.75 | 9.66 | 3.12 | 7.25 | 8.50 | 4.25 | 0.25 | 9.05 | 1/2-13 |
| 254TC | | | 8.25 | | | | | | | | | | | | | |
| 256TC | 6.25 | 5.00 | 10.00 | 0.53 | 12.94 | 1.625 | 4.00 | 1.25 | 11.25 | 3.75 | 7.25 | 8.50 | 4.75 | 0.25 | 9.13 | 1/2-13 |



Cast Iron Construction (Non-C-Face)

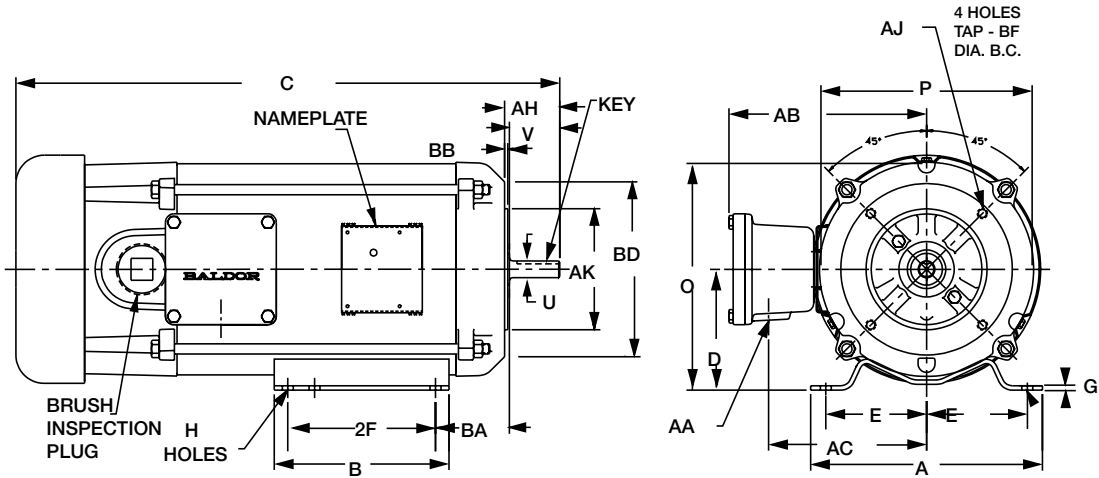
| NEMA Frame | A | B | D | E | 2F | H | Key | N | O | P | U | V | AA | AB | AC | BA |
|------------|-------|-------|-------|------|-------|------|------|------|-------|-------|-------|------|------|-------|-------|------|
| 254T | | | | | 8.25 | | | | | | | | 1.25 | | | |
| 256T | 11.50 | 11.50 | 6.25 | 5.00 | 10.00 | 0.53 | 0.38 | 4.20 | 12.94 | 13.38 | 1.625 | 4.00 | NPT | 11.25 | 8.57 | 4.25 |
| 284T | | | | | 9.50 | | | | | | | | 1.25 | | | |
| 286T | 12.76 | 12.75 | 7.00 | 5.50 | 11.00 | 0.53 | 0.50 | 4.88 | 14.74 | 15.54 | 1.875 | 4.63 | NPT | 14.32 | 10.69 | 4.88 |
| 324T | | | | | 10.50 | | | | | | | | 1.50 | | | |
| 326T | 14.50 | 14.00 | 8.00 | 6.25 | 12.00 | 0.65 | 0.50 | 5.44 | 16.68 | 17.40 | 2.125 | 5.25 | NPT | 15.23 | 11.60 | 5.44 |
| 364T | | | | | 11.25 | | | | | | | | 3.00 | | | |
| 365T | 16.50 | 14.50 | 9.00 | 7.00 | 12.25 | 0.65 | 0.62 | 6.13 | 18.44 | 19.13 | 2.375 | 5.88 | NPT | 17.60 | 13.00 | 6.13 |
| 405T | | | | | 12.25 | | | | | | | | 2.50 | | | |
| | 18.88 | 16.63 | 10.00 | 8.00 | 13.75 | 0.81 | 0.75 | 7.56 | 20.88 | 21.25 | 2.875 | 7.25 | NPT | 18.73 | 14.13 | 6.62 |

Note: Drawings shown are for reference only. Please contact Baldor for a detailed dimensional drawing of the specific motor you require. Drawings may also be available from our website at www.baldor.com

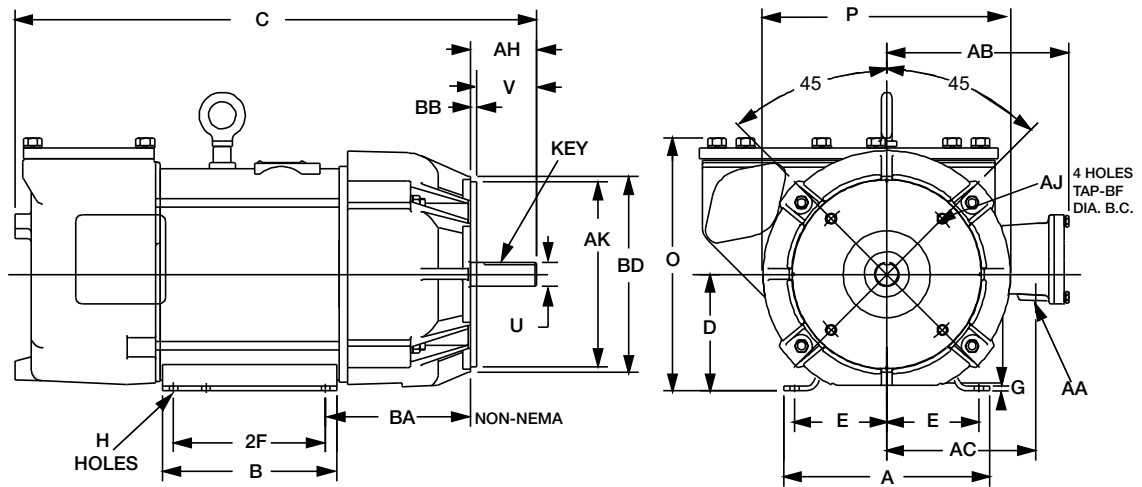
Dimensions

SCR Drive Shunt Wound DC Explosion-Proof Motors

182-184



215CY



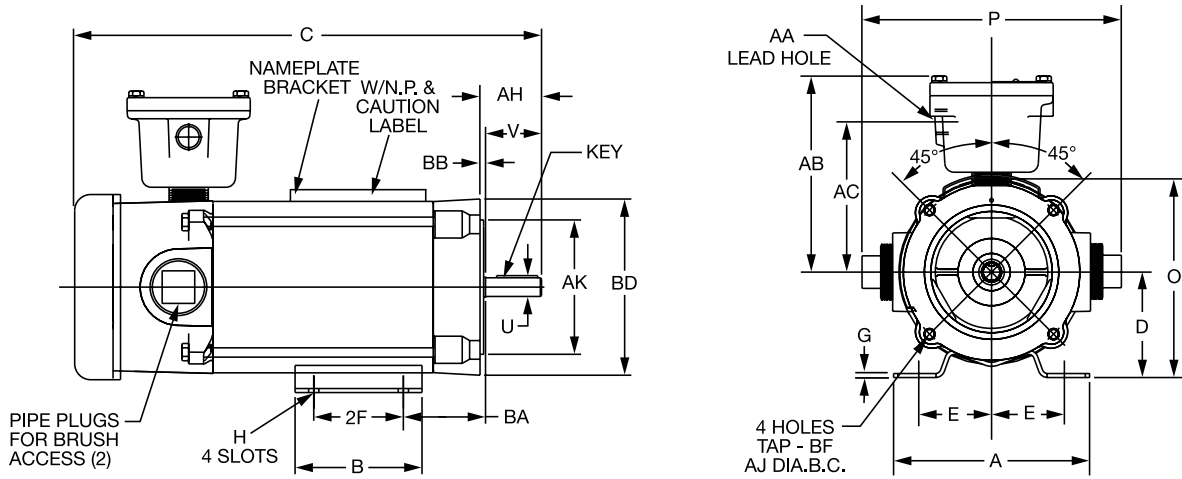
| NEMA Frame | Type | C | BA | E | 2F | G | H | U | V | Key | AH | A | B | D | O | P |
|------------|-------|-------|------|------|-----------|------|------|------|------|------|------|------|------|------|-------|-------|
| 182CZ | 3623D | 18.61 | 2.75 | 3.75 | 4.50/5.50 | 0.16 | 0.41 | 0.62 | 1.88 | 0.19 | 2.06 | 8.63 | 6.50 | 4.50 | 8.44 | 7.86 |
| 182C | 3623D | 18.68 | | | | | | | | | | | | | | |
| | 3636D | 20.30 | 2.75 | 3.75 | 4.50/5.50 | 0.16 | 0.41 | 0.87 | 2.25 | 0.19 | 2.12 | 8.63 | 6.50 | 4.50 | 8.44 | 7.86 |
| 184C | 3646D | 21.56 | | | | | | | | | | | | | | |
| 215CY | 7544D | 23.99 | 6.69 | 4.25 | 5.50/7.00 | 0.81 | 0.41 | 1.12 | 2.75 | 0.25 | 3.00 | 9.50 | 8.00 | 5.35 | 11.58 | 13.75 |

| NEMA Frame | Type | AA | AB | AC | AJ | AK | BB | BD | BF |
|------------|-------|------|------|------|------|------|------|------|--------|
| 182CZ | 3623D | 0.75 | 7.35 | 5.88 | 5.88 | 4.50 | 0.12 | 6.51 | 3/8-16 |
| 182C | 3623D | | | | | | | | |
| | 3636D | 0.75 | 7.35 | 5.88 | 5.88 | 4.50 | 0.12 | 6.51 | 3/8+16 |
| | 3646D | | | | | | | | |
| 215CY | 7544D | 0.75 | 8.62 | 6.84 | 7.25 | 8.50 | 0.25 | 9.00 | 1/2-13 |

Note: Drawings shown are for reference only. Please contact Baldor for a detailed dimensional drawing of the specific motor you require. Drawings may also be available from our website at www.baldor.com

Dimensions

SCR Drive Permanent Magnet DC Explosion-Proof Motors



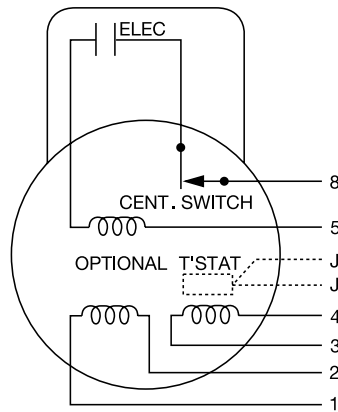
| NEMA Frame | Type | C | BA | E | 2F | G | H | U | V | Key | AH | A | B | D | O | P |
|------------|-------|-------|------|------|------|------|----------|------|------|------|------|------|------|------|------|------|
| 56C | 3413P | 13.87 | | | | | | | | | | | | | | |
| | 3420P | 14.87 | 2.75 | 2.44 | 3.00 | 0.25 | 0.34 | 0.62 | 1.87 | 0.19 | 2.06 | 6.56 | 4.25 | 3.50 | 6.34 | 8.47 |
| | 3428P | 14.87 | | | | | Slot (4) | | | | | | | | | |
| | 3435P | 15.87 | | | | | | | | | | | | | | |
| 56C | 3536P | 18.36 | 2.75 | 2.44 | 3.00 | 0.12 | 0.34 | 0.62 | 1.88 | 0.19 | 2.06 | 6.50 | 4.50 | 3.50 | 7.09 | 9.32 |
| 145TC | 3548P | 19.43 | 2.75 | 2.75 | 5.00 | 0.25 | Slot (6) | 0.87 | 2.25 | 0.19 | 2.13 | 6.50 | 5.94 | 3.50 | 7.09 | 9.32 |

| NEMA Frame | Type | AA | AB | AC | AJ | AK | BB | BD | BF |
|------------|-------|----------|------|------|------|------|------|------|--------|
| 56C | 3413P | | | | | | | | |
| | 3420P | 0.50 NPT | 6.57 | 5.03 | 5.88 | 4.50 | 0.12 | 5.90 | 3/8-16 |
| | 3428P | | | | | | | | |
| 56C | 3536P | | | | | | | | |
| 145TC | 3548P | 0.75 NPT | 6.76 | 5.25 | 5.88 | 4.50 | 0.12 | 6.46 | 3/8-16 |

Note: Drawings shown are for reference only. Please contact Baldor for a detailed dimensional drawing of the specific motor you require. Drawings may also be available from our website at www.baldor.com

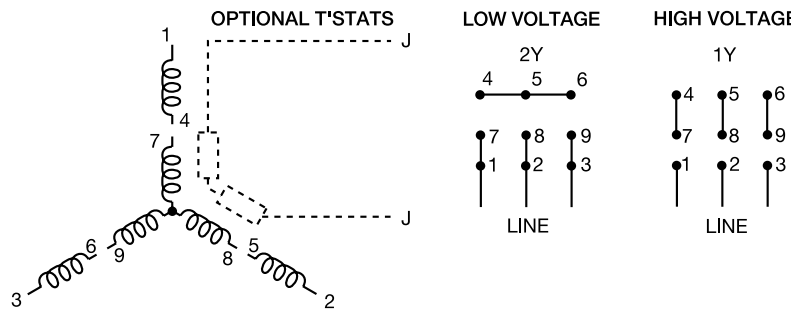
Connection Diagrams

CD0001

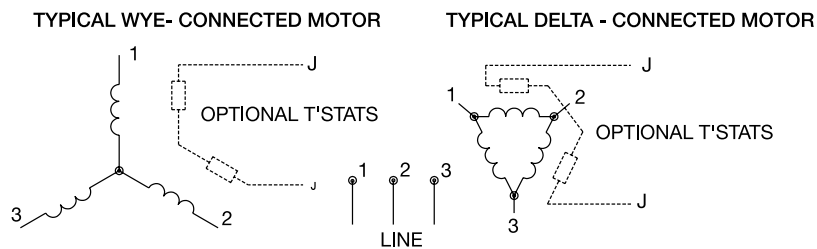


| VOLT | ↻ | LINE A | LINE B | JOIN |
|------|-----|--------|--------|-------|
| HIGH | STD | 1 | 4,5 | 2,3,8 |
| HIGH | OPP | 1 | 4,8 | 2,3,5 |
| LOW | STD | 1,3,8 | 2,4,5 | — |
| LOW | OPP | 1,3,5 | 2,4,8 | — |

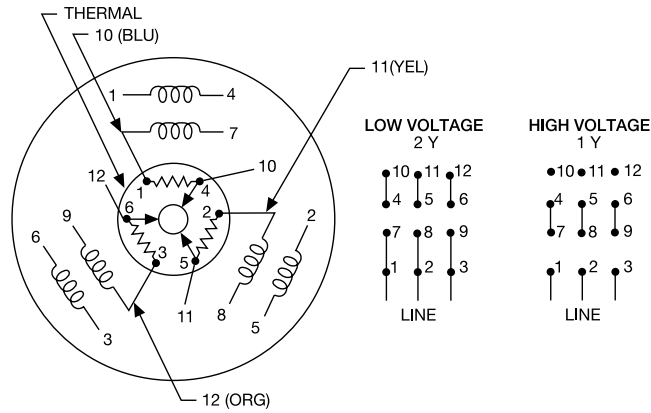
CD0005 & 416820-1



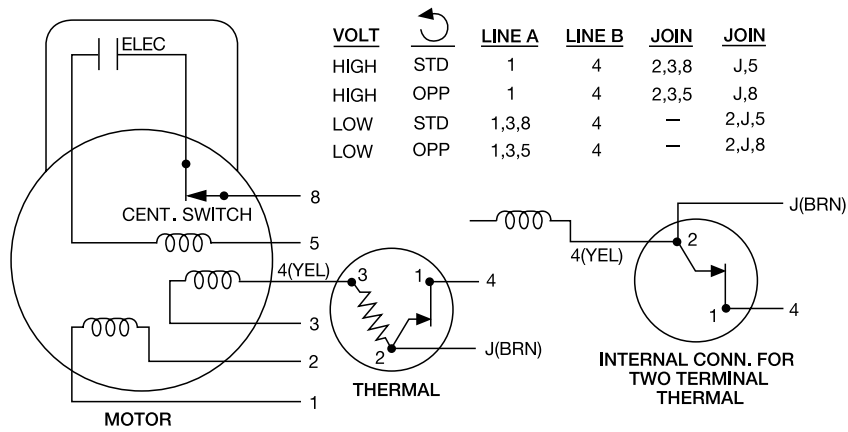
CD0006, 416820-24 & 416820-25



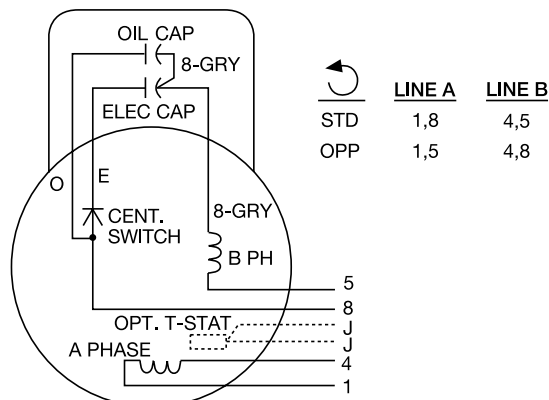
CD0007



CD0008

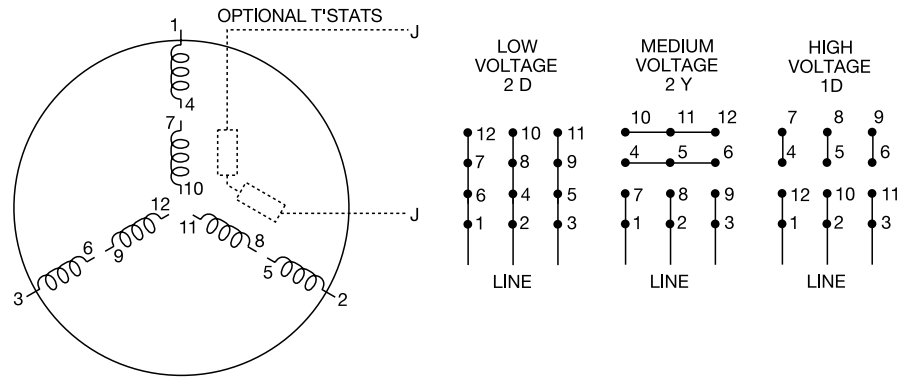


CD0017A02

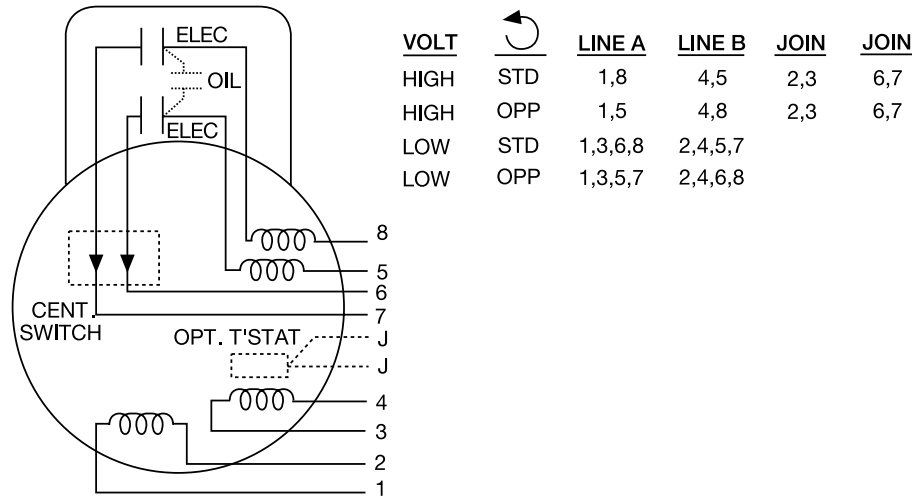


Connection Diagrams

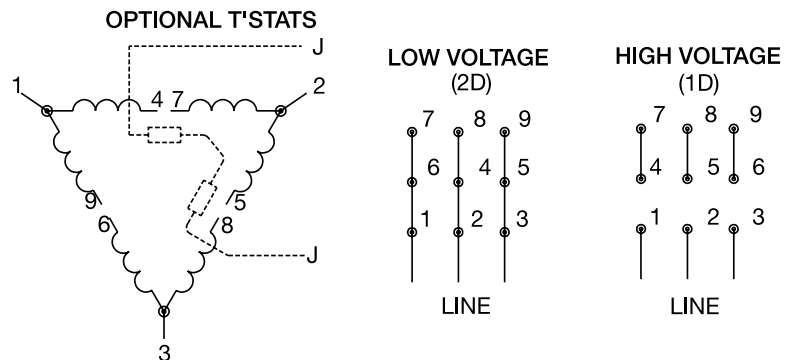
CD0044



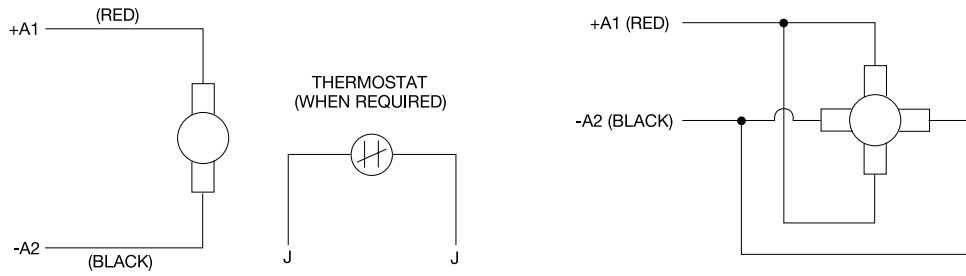
CD0076



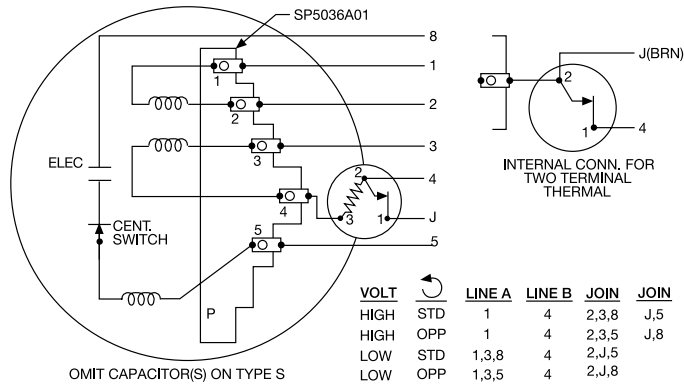
CD0180 & 416820-2



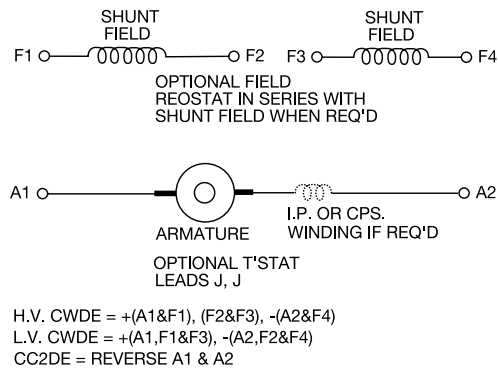
CD0194



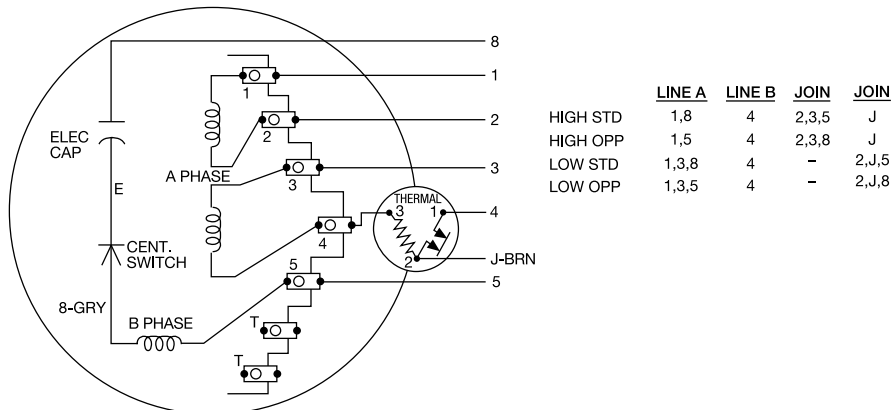
CD0565



CD0860



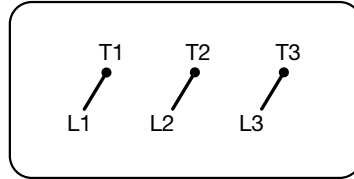
CD0885



Connection Diagrams

416820-36

STANDARD 3 LEAD
CONNECTED



416820-101

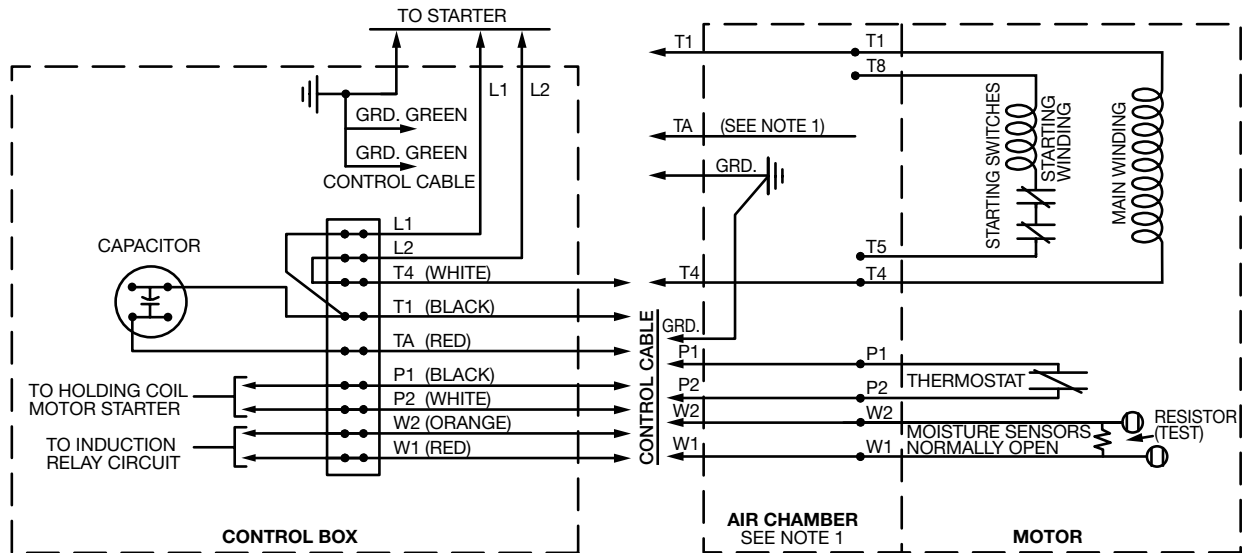
A-C MOTOR
CONNECTION DIAGRAM

SINGLE PHASE CAPACITOR START INDUCTION RUN
SINGLE VOLTAGE SUMP PUMP MOTOR CONTROL BOX

WIRING DIAGRAM FOR SINGLE PHASE CAPACITOR START INDUCTION RUN SUMP PUMP MOTOR CONTROL BOX

SINGLE VOLTAGE CLOCKWISE AND COUNTERCLOCKWISE ROTATION (SEE NOTE 1)

THIS CONTROL BOX CONTAINS MOTOR STARTING WINDING CAPACITORS FOR ONE SPECIFIC MOTOR DESIGN AND IS NOT USABLE WITH A MOTOR HAVING A DIFFERENT DESIGN. THIS CONTROL BOX DOES NOT INCLUDE THE NECESSARY MOTOR STARTER WHICH SHOULD BE CONNECTED IN THE POWER CIRCUIT TO THIS CONTROL. ALSO, THIS CONTROL BOX DOES NOT INCLUDE THE NECESSARY INDUCTION RELAY WHICH MUST BE USED IN THE MOISTURE SENSOR CIRCUIT. CONNECT THE MOTOR AND CONTROL BOX FOR THE DESIRED ROTATION ACCORDING TO THE WIRING DIAGRAM AND NOTES BELOW.



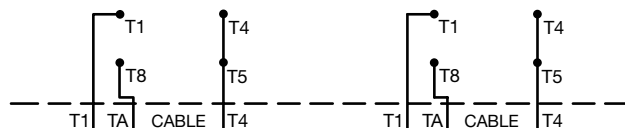
NOTE 1: IN MOTOR AIR CHAMBER CONNECT FOR DESIRED ROTATION PER WINDING DIAGRAM BELOW.

NOTE 2: MOTOR IS PROVIDED WITH A NORMALLY CLOSED THERMOSTAT, CONNECT P1 AND P2 IN SERIES WITH STARTER HOLDING COIL. THERMOSTAT CURRENT MUST NOT EXCEED 2 AMPS AT 125 VOLTS OR 1 AMP AT 250 VOLTS. DO NOT CONNECT P1 AND P2 IN SERIES WITH A MOTOR POWER LEAD.

NOTE 3: MOTOR IS FURNISHED WITH MULTICONDUCTOR POWER CABLE, THE COLOR CODING IS AS FOLLOWS:
T1 BLACK T4 WHITE TA RED GRD. GREEN

COUNTERCLOCKWISE ROTATION

CLOCKWISE ROTATION

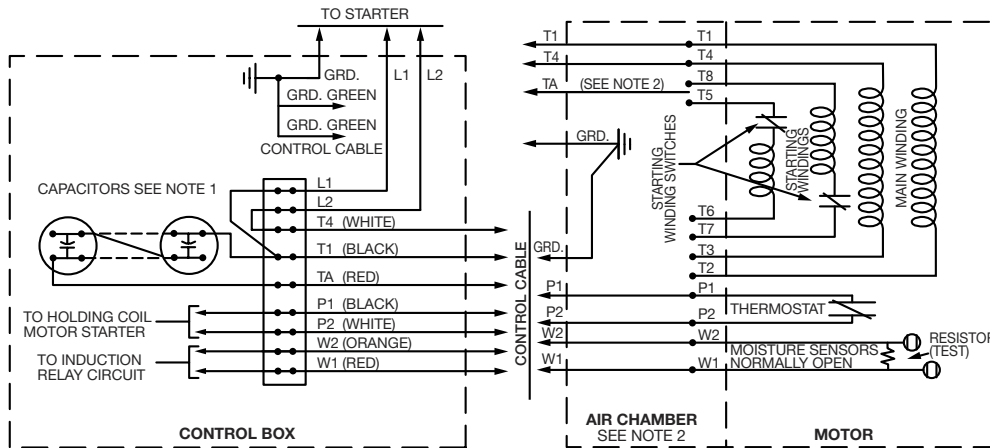


416820-102

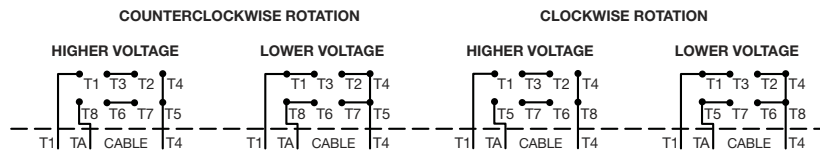
**A-C MOTOR
CONNECTION DIAGRAM**
SINGLE PHASE CAPACITOR START INDUCTION RUN
DUAL VOLTAGE SUMP PUMP MOTOR CONTROL BOX

WIRING DIAGRAM FOR SINGLE PHASE CAPACITOR START INDUCTION RUN SUMP PUMP MOTOR CONTROL BOX
DUAL VOLTAGE CLOCKWISE AND COUNTERCLOCKWISE ROTATION (SEE NOTE 2)

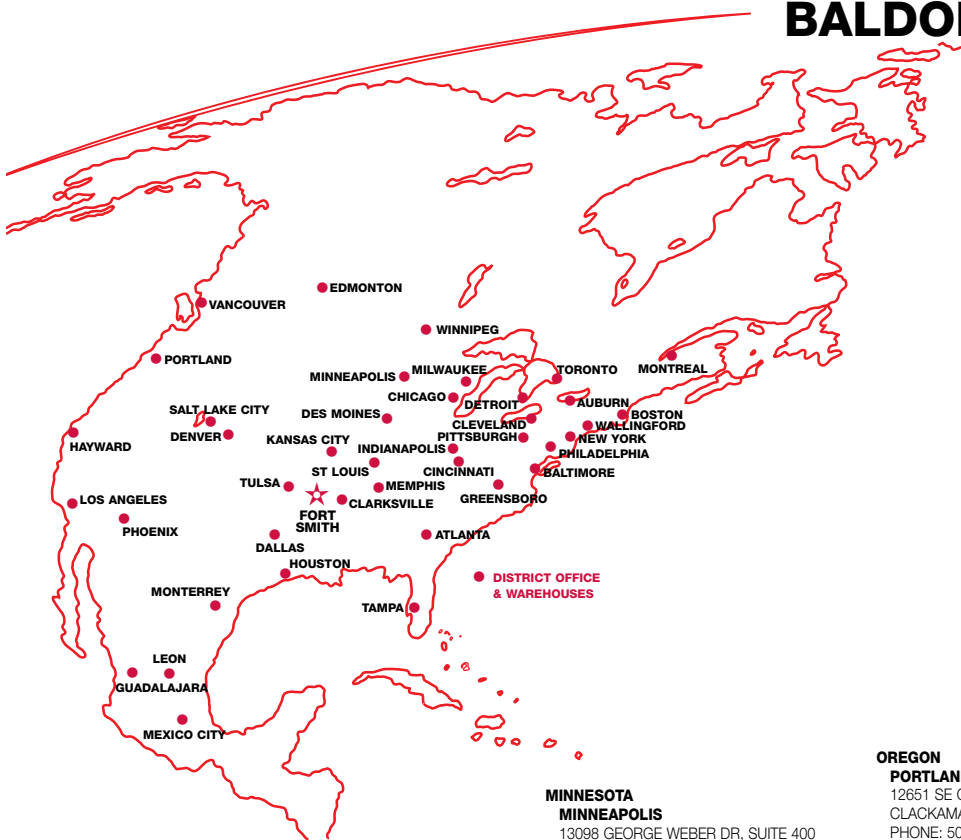
THIS CONTROL BOX CONTAINS MOTOR STARTING WINDING CAPACITORS FOR ONE SPECIFIC MOTOR DESIGN AND IS NOT USABLE WITH A MOTOR HAVING A DIFFERENT DESIGN. THIS CONTROL BOX DOES NOT INCLUDE THE NECESSARY MOTOR STARTER WHICH SHOULD BE CONNECTED IN THE POWER CIRCUIT TO THIS CONTROL. ALSO, THIS CONTROL BOX DOES NOT INCLUDE THE NECESSARY INDUCTION RELAY WHICH MUST BE USED IN THE MOISTURE SENSOR CIRCUIT. CONNECT THE MOTOR AND CONTROL BOX FOR THE DESIRED ROTATION ACCORDING TO THE WIRING DIAGRAM AND NOTES BELOW.



- NOTE 1: CAPACITOR CONNECTIONS: CONNECT IN SERIES AS INDICATED BY SOLID LINE FOR HIGH VOLTAGE AND IN PARALLEL AS INDICATED BY BROKEN LINES FOR LOW VOLTAGE.
- NOTE 2: IN MOTOR AIR CHAMBER CONNECT FOR DESIRED VOLTAGE AND ROTATION PER WINDING DIAGRAM BELOW.
- NOTE 3: MOTOR IS PROVIDED WITH A NORMALLY CLOSED THERMOSTAT, CONNECT P1 AND P2 IN SERIES WITH THE MOTOR STARTER HOLDING COIL. THERMOSTAT CURRENT MUST NOT EXCEED 2 AMPS AT 125 VOLTS OR 1 AMP AT 250 VOLTS. DO NOT CONNECT P1 AND P2 IN SERIES WITH A MOTOR POWER LEAD.
- NOTE 4: MOTOR IS FURNISHED WITH MULTICONDUCTOR POWER CABLE, THE COLOR CODING IS AS FOLLOWS:
T1 BLACK T4 WHITE TA RED GRD. GREEN



BALDOR SALES OFFICES



UNITED STATES

ARIZONA PHOENIX

4211 S 43RD PLACE
PHOENIX, AZ 85040
PHONE: 602-470-0407
FAX: 602-470-0464

ARKANSAS CLARKSVILLE

706 WEST MAIN STREET
CLARKSVILLE, AR 72830
PHONE: 479-754-9108
FAX: 479-754-9205

CALIFORNIA LOS ANGELES

6480 FLOTILLA STREET
COMMERCE, CA 90040
PHONE: 323-724-6771
FAX: 323-721-5859

HAYWARD
21056 FORBES STREET
HAYWARD, CA 94545
PHONE: 510-785-9900
FAX: 510-785-9910

COLORADO DENVER

3855 FOREST STREET
DENVER, CO 80207
PHONE: 303-623-0127
FAX: 303-595-3772

CONNECTICUT WALLINGFORD

65 SOUTH TURNPIKE ROAD
WALLINGFORD, CT 06492
PHONE: 203-269-1354
FAX: 203-269-5485

FLORIDA TAMPA/PUERTO RICO/ VIRGIN ISLANDS

3906 EAST 11TH AVENUE
TAMPA, FL 33605
PHONE: 813-248-5078
FAX: 813-241-9514

GEORGIA ATLANTA

62 TECHNOLOGY DRIVE
ALPHARETTA, GA 30005
PHONE: 770-772-7000
FAX: 770-772-7200

ILLINOIS CHICAGO

340 REMINGTON BLVD.
BOLINGBROOK, IL 60440
PHONE: 630-296-1400
FAX: 630-226-9420

INDIANA INDIANAPOLIS

5525 W. MINNESOTA STREET
INDIANAPOLIS, IN 46241
PHONE: 317-246-5100
FAX: 317-246-5110

IOWA DES MOINES

1943 HULL AVENUE
DES MOINES, IA 50313
PHONE: 515-263-6929
FAX: 515-263-6515

MARYLAND BALTIMORE

6660 SANTA BARBARA RD.
SUITES 22-24
ELKBRIDGE, MD 21075
PHONE: 410-579-2135
FAX: 410-579-2677

MASSACHUSETTS BOSTON

6 PULLMAN STREET
WORCESTER, MA 01606
PHONE: 508-854-0708
FAX: 508-854-0291

MICHIGAN DETROIT

5993 PROGRESS DRIVE
STERLING HEIGHTS, MI 48312
PHONE: 586-978-9800
FAX: 586-978-9969

MINNESOTA MINNEAPOLIS

13098 GEORGE WEBER DR, SUITE 400
ROGERS, MN 55374
PHONE: 763-428-3633
FAX: 763-428-4551

MISSOURI ST LOUIS

13678 LAKEFRONT DRIVE
EARTH CITY, MO 63045
PHONE: 314-373-3032
FAX: 314-373-3038

KANSAS CITY

1501 BEDFORD AVENUE
NORTH KANSAS CITY, MO 64116
PHONE: 816-587-0272
FAX: 816-587-3735

NEW YORK AUBURN

ONE ELLIS DRIVE
AUBURN, NY 13021
PHONE: 315-255-3403
FAX: 315-253-9923

NORTH CAROLINA GREENSBORO

1220 ROTHERWOOD ROAD
GREENSBORO, NC 27406
PHONE: 336-272-6104
FAX: 336-273-6628

OHIO CINCINNATI

2929 CRESCENTVILLE ROAD
WEST CHESTER, OH 45069
PHONE: 513-771-2600
FAX: 513-772-2219

CLEVELAND

8929 FREEWAY DRIVE
MACEDONIA, OH 44056
PHONE: 330-468-4777
FAX: 330-468-4778

OKLAHOMA TULSA

5555 E. 71ST ST., SUITE 9100
TULSA, OK 74136
PHONE: 918-366-9320
FAX: 918-366-9338

OREGON PORTLAND

12651 SE CAPPS ROAD
CLACKAMAS, OR 97015
PHONE: 503-691-9010
FAX: 503-691-9012

PENNSYLVANIA PHILADELPHIA

1035 THOMAS BUSCH
MEMORIAL HIGHWAY
PENNSAUKEN, NJ 08110
PHONE: 856-661-1442
FAX: 856-663-6363

PITTSBURGH

159 PROMINENCE DRIVE
NEW KENSINGTON, PA 15068
PHONE: 724-889-0092
FAX: 724-889-0094

TENNESSEE MEMPHIS

4000 WINCHESTER ROAD
MEMPHIS, TN 38118
PHONE: 901-365-2020
FAX: 901-365-3914

TEXAS DALLAS

2920 114TH STREET SUITE 100
GRAND PRAIRIE, TX 75050
PHONE: 214-634-7271
FAX: 214-634-8874

HOUSTON

10355 W. LITTLE YORK ROAD
SUITE 300
HOUSTON, TX 77041
PHONE: 281-977-6500
FAX: 281-977-6510

UTAH SALT LAKE CITY

2230 SOUTH MAIN STREET
SALT LAKE CITY, UT 84115
PHONE: 801-832-0127
FAX: 801-832-8911

WISCONSIN MILWAUKEE

1960 SOUTH CALHOUN ROAD
NEW BERLIN, WI 53151
PHONE: 262-784-5940
FAX: 262-784-1215

INTERNATIONAL SALES FORT SMITH, AR

P.O. BOX 2400
FORT SMITH, AR 72902
PHONE: 479-646-4711
FAX: 479-648-5895

CANADA EDMONTON, ALBERTA

4053-92 STREET
EDMONTON, ALBERTA T6E 6R8
PHONE: 780-434-4900
FAX: 780-438-2600

TORONTO OAKVILLE, ONTARIO

2750 COVENTRY ROAD
OAKVILLE, ONTARIO L6H 6R1
PHONE: 905-829-3301
FAX: 905-829-3302

MONTREAL, QUEBEC

5155 J-ARMAND BOMBARDIER
SAINT-HUBERT, QUÉBEC
CANADA J3Z 1G4
PHONE: 514-933-2711
FAX: 514-933-8639

VANCOUVER, BRITISH COLUMBIA

1538 KEBET WAY
PORT COQUITLAM,
BRITISH COLUMBIA V3C 5M5
PHONE: 604-421-2822
FAX: 604-421-3113

WINNIPEG, MANITOBA

54 PRINCESS STREET
WINNIPEG, MANITOBA R3B 1K2
PHONE: 204-942-5205
FAX: 204-956-4251

MEXICO LEON, GUANAJUATO

KM. 2.0 BLVD. AEROPUERTO
LEON, GUANAJUATO, CP37545
MEXICO
PHONE: +52 477 761 2030
FAX: +52 477 761 2010

BALDOR

A MEMBER OF THE ABB GROUP

Baldor Electric Company • P.O. Box 2400 • Fort Smith, AR 72902-2400 U.S.A.

Ph: (479) 646-4711 • Fax (479) 648-5792 • International Fax (479) 648-5895 • www.baldor.com